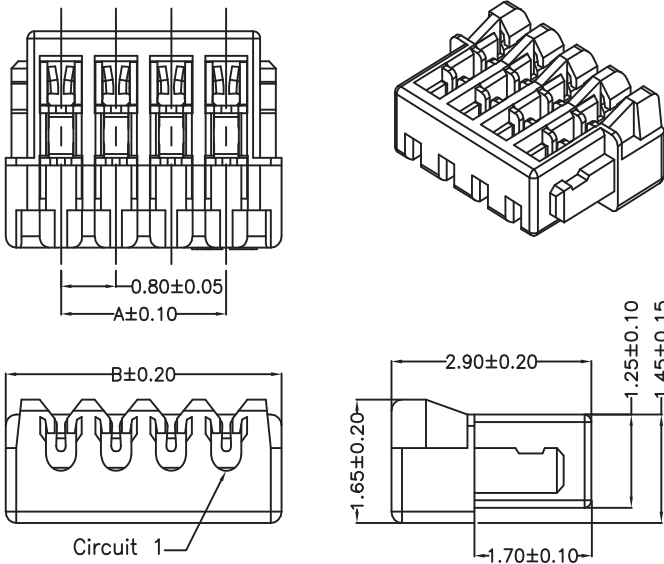
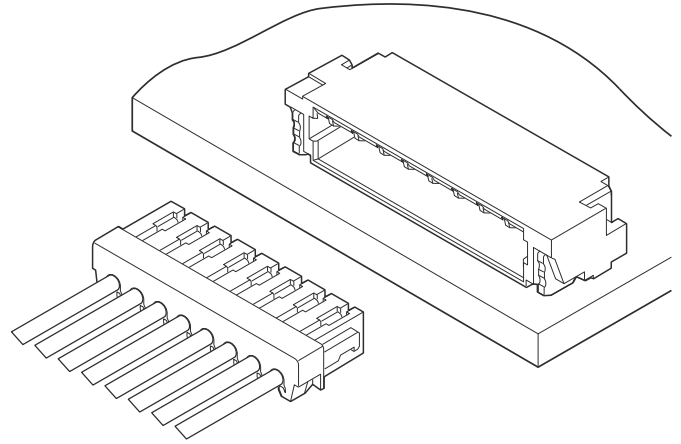


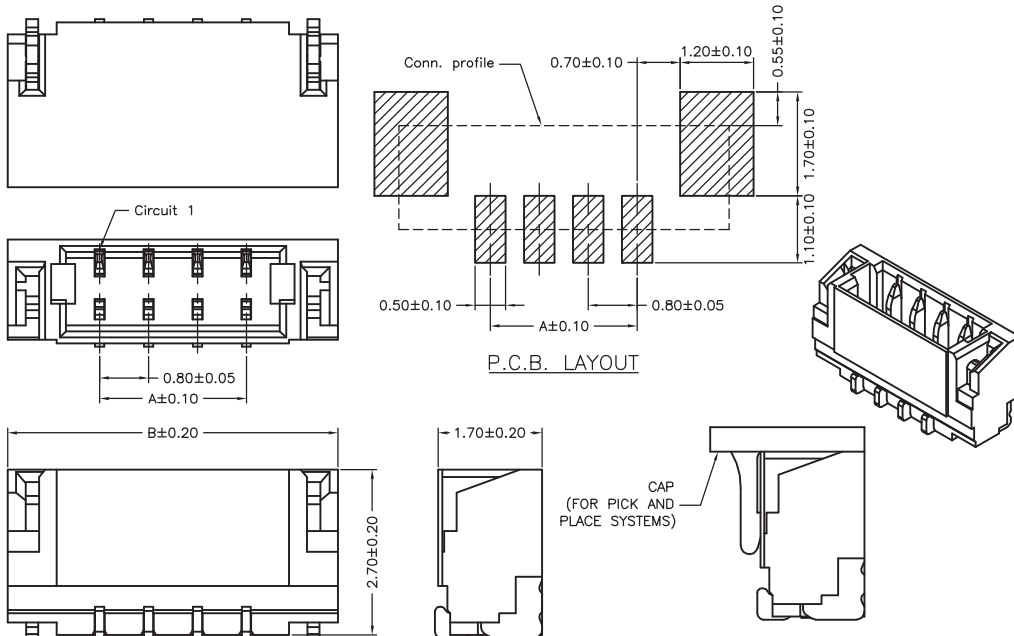
## 0.8mm Pitch Wire to Board Insulation Displacement

Specifications :  
 Current Rating: 0.5AAC, DC  
 Voltage Rating: 30V DC  
 Temperature Range: -25 deg C ~ +85 deg  
 Contact Resistance: 20m Omega Max.  
 Insulation Resistance: 100M Omega Min.  
 Withstanding Voltage: 200V AC/minute



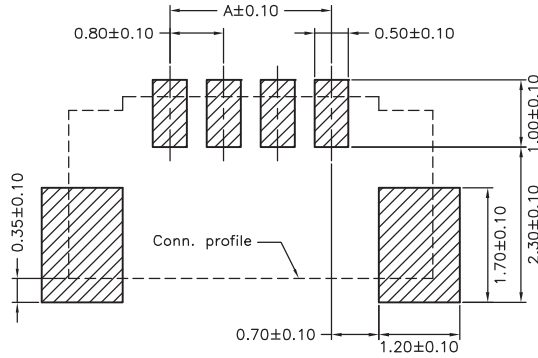
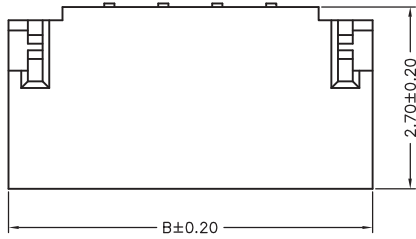
Part No: SCT0800HI-XXP  
 Poles : 2-20p  
 Applicable Wire : AWG#32  
 Insulation O.D. : 0.38mm  
 Contacts: phosphor Bronze/Tin-Plated  
 Material: Nylon 46, UL94V-0  
 Color: Natural(Beige)  
 Q' TY: 1000pcs/bag

PART NO.	Dimensions	
	A	B
SCT0800HI-02P	0.80	2.40
SCT0800HI-04P	2.40	4.00
SCT0800HI-08P	5.60	7.20
SCT0800HI-10P	7.20	8.80
SCT0800HI-12P	8.80	10.40
SCT0800HI-14P	10.40	12.00
SCT0800HI-15P	11.20	12.80
SCT0800HI-16P	12.00	13.60
SCT0800HI-17P	12.80	14.40
SCT0800HI-20P	15.20	16.80

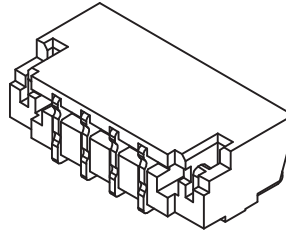
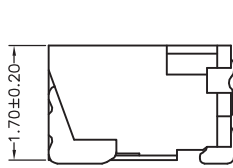
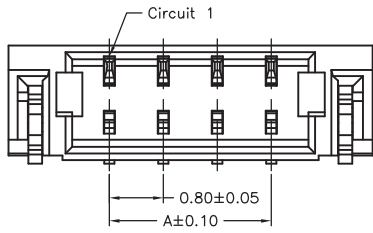


Part No: SCT0800WV-S-XXP  
 Poles : 2-20p  
 Pin Material: Phosphor Bronze/Tin-plated  
 Solder tabs: Phosphor Bronze/Tin-plated  
 Material: Nylon 6T, UL94V-0  
 Cap: Nylon 6T, UL94V-0  
 Color: Natural(Beige)  
 Q' TY: 5000pcs/reel  
 Mates With SCT0800 Series Housing

PART NO.	Dimensions	
	A	B
SCT0800WV-S-02P	0.80	3.80
SCT0800WV-S-04P	2.40	5.40
SCT0800WV-S-08P	5.60	8.60
SCT0800WV-S-10P	7.20	10.20
SCT0800WV-S-12P	8.80	11.80
SCT0800WV-S-14P	10.40	13.40
SCT0800WV-S-15P	11.20	14.20
SCT0800WV-S-16P	12.00	15.00
SCT0800WV-S-17P	12.80	15.80
SCT0800WV-S-20P	15.20	18.20



P.C.B. LAYOUT

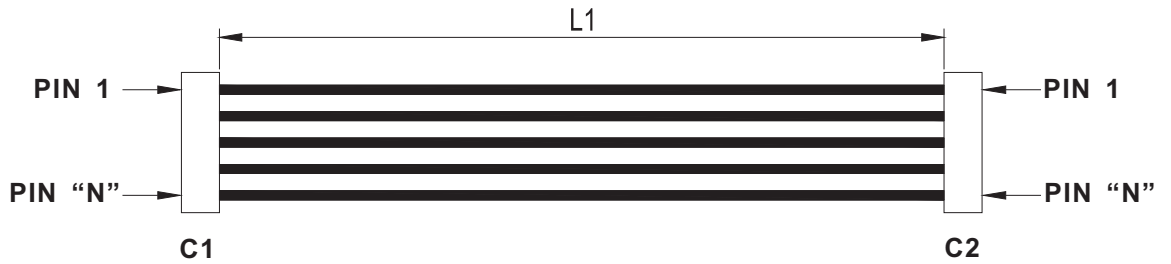


Part No: SCT0800WR-S-XXP  
 Poles: 2-20p  
 Pin Material: Phosphor Bronze/Tin-plated  
 Solder tabs: Phosphor Bronze/Tin-plated  
 Material: Nylon 6T, UL94V-0  
 Cap: Nylon 6T, UL94V-0  
 Color: Natural (Beige)  
 Mates With SCT0800 Series Housing

PART NO.	Dimensions	
	A	B
SCT0800WR-S-02P	0.80	3.80
SCT0800WR-S-04P	2.40	5.40
SCT0800WR-S-08P	5.60	8.60
SCT0800WR-S-10P	7.20	10.20
SCT0800WR-S-12P	8.80	11.80
SCT0800WR-S-14P	10.40	13.40
SCT0800WR-S-15P	11.20	14.20
SCT0800WR-S-16P	12.00	15.00
SCT0800WR-S-17P	12.80	15.80
SCT0800WR-S-20P	15.20	18.20

## How to Order Wire Harness?

### A Type



Type A Configuration:

Type A Connector C1: \_\_\_\_\_

Type A Connector C2: \_\_\_\_\_

Type A L1 = \_\_\_\_\_ mm

Tolerance For L1= +/- \_\_\_\_\_ mm

Wire Specification:

UL Style: \_\_\_\_\_ AWG: \_\_\_\_\_

### Pin Assignments And Wire Color

C1 Pin NO.-----Wire Color-----C2 Pin NO.


### B Type



Type B Configuration:

Type B Connector C1: \_\_\_\_\_

Type B L1 = \_\_\_\_\_ mm

Tolerance For L1= +/- \_\_\_\_\_ mm

Strip L2 = \_\_\_\_\_ mm

Tolerance For Strip L2= +/- \_\_\_\_\_ mm

Wire Specification:

UL Style: \_\_\_\_\_ AWG: \_\_\_\_\_

### Pin Assignments And Wire Color

C1 Pin NO.-----Wire Color
