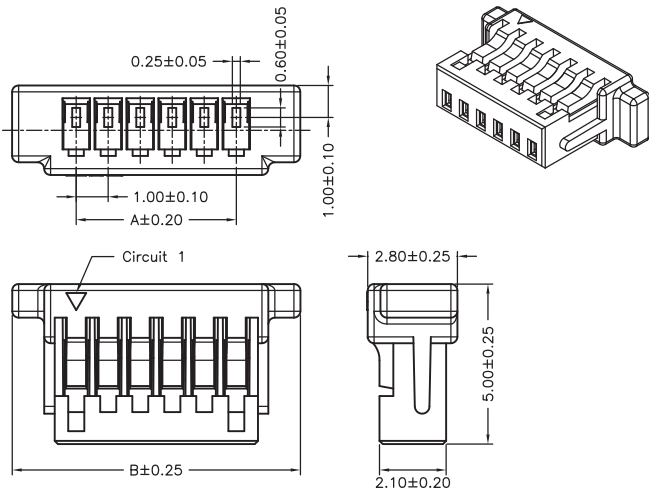
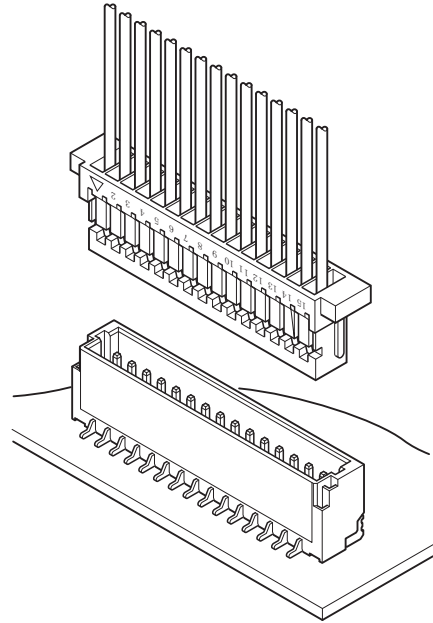


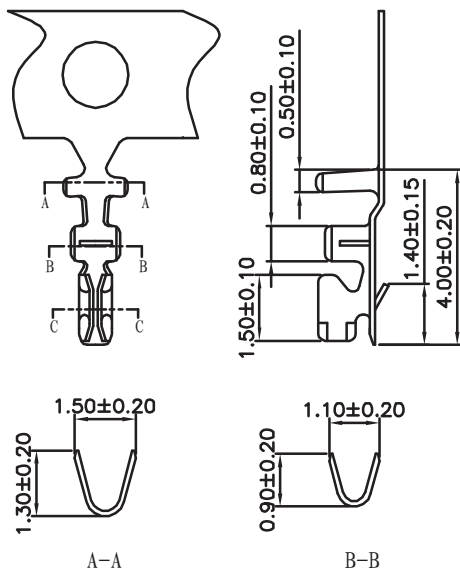
1. 0mm Pitch Crimp Connector

Specifications :
 Current Rating : 1AAC,DC
 Voltage Rating : 50V AC,DC
 Temperature Range : -25 deg C ~+85 deg C
 Contact Resistance : 20m Omega Max.
 Insulation Resistance : 100M Omega Min.
 Withstanding Voltage : 500V AC/minute

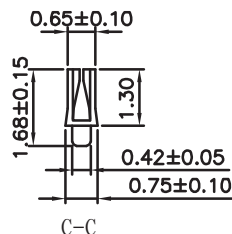


Part No:SCT1001H-XXP
 Poles:2-20P
 Material:PBT+15%,Glass Fiber
 Packing Q'TY:1000pcs/bag
 Mates With SCT1001T Series Terminal

NO	PART NO	DIMENSION		NO	PART NO	DIMENSION	
		A	B			A	B
1	SCT1001H-02	1.00	5.00	11	SCT1001H-12	11.00	15.00
2	SCT1001H-03	2.00	6.00	12	SCT1001H-13	12.00	16.00
3	SCT1001H-04	3.00	7.00	13	SCT1001H-14	13.00	17.00
4	SCT1001H-05	4.00	8.00	14	SCT1001H-15	14.00	18.00
5	SCT1001H-06	5.00	9.00	15	SCT1001H-16	15.00	19.00
6	SCT1001H-07	6.00	10.00	16	SCT1001H-17	16.00	20.00
7	SCT1001H-08	7.00	11.00	17	SCT1001H-18	17.00	21.00
8	SCT1001H-09	8.00	12.00	18	SCT1001H-19	18.00	22.00
9	SCT1001H-10	9.00	13.00	19	SCT1001H-20	19.00	23.00
10	SCT1001H-11	10.00	14.00				

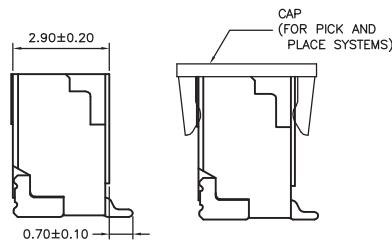
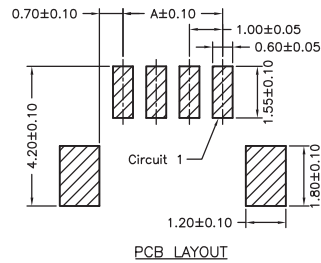
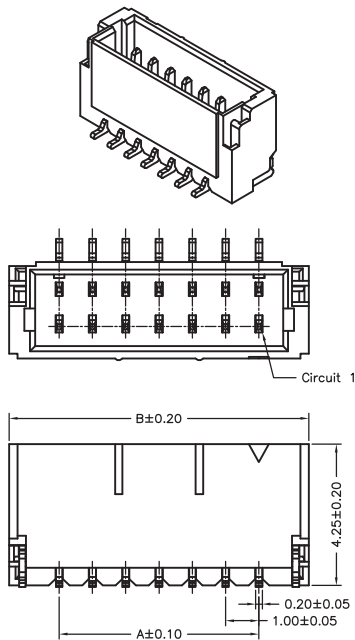


Part No:SCT1001T
 Thickness:0.12mm
 Material:Phosphor bronze
 Finish:Tin Plated
 Wire Range:AWG#28-#32(OD:0.8mm)
 Insulation O.D. : 0.8mm
 Q'TY:20,000pcs/reel
 Mates With SCT1001H Series Housing



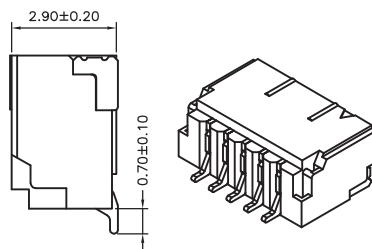
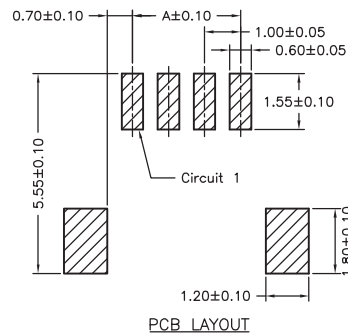
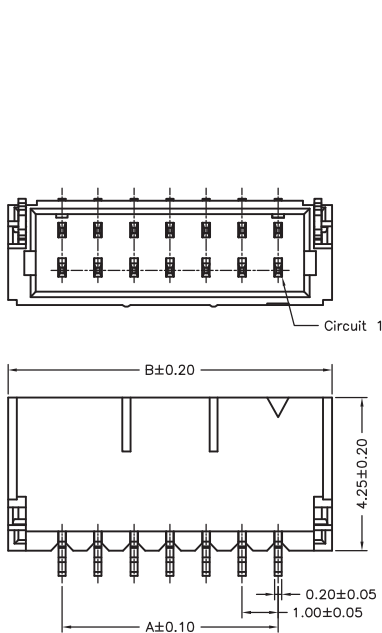


SCT1001 SERIES 1.00mm Pitch Wire to Board Crimp Connector



Part No: SCT1001WV-S-XXP
 Poles: 2-20P
 Material: Contact: Phos, Bronze, Tin Plated
 Base: PA9T, UL94-0
 Packing Q'TY: 1000pcs/Tape&reel
 Mates With SCT1001 Series Housing

NO	PART NO	DIMENSION		NO	PART NO	DIMENSION	
		A	B			A	B
1	SCT1001WV-S-02	1.00	4.00	11	SCT1001WV-S-12	11.00	14.00
2	SCT1001WV-S-03	2.00	5.00	12	SCT1001WV-S-13	12.00	15.00
3	SCT1001WV-S-04	3.00	6.00	13	SCT1001WV-S-14	13.00	16.00
4	SCT1001WV-S-05	4.00	7.00	14	SCT1001WV-S-15	14.00	17.00
5	SCT1001WV-S-06	5.00	8.00	15	SCT1001WV-S-16	15.00	18.00
6	SCT1001WV-S-07	6.00	9.00	16	SCT1001WV-S-17	16.00	19.00
7	SCT1001WV-S-08	7.00	10.00	17	SCT1001WV-S-18	17.00	20.00
8	SCT1001WV-S-09	8.00	11.00	18	SCT1001WV-S-19	18.00	21.00
9	SCT1001WV-S-10	9.00	12.00	19	SCT1001WV-S-20	19.00	22.00
10	SCT1001WV-S-11	10.00	13.00				

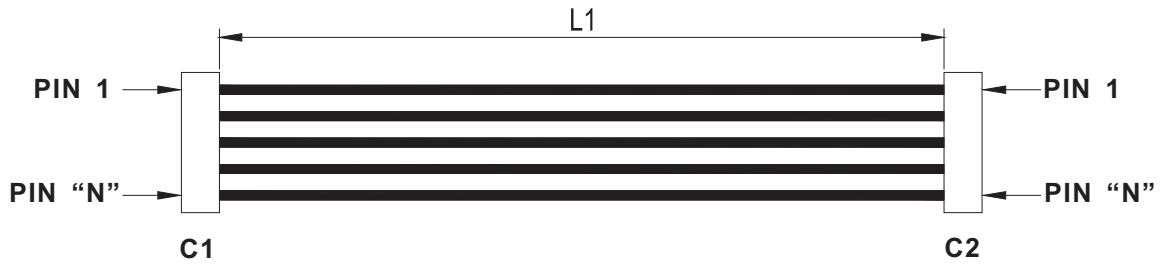


Part No: SCT1001WR-S-XXP
 Poles: 2-20P
 Material: Contact: Phos, Bronze, TinPlated
 Base: PA9T, UL94-0
 Packing Q'TY: 1000pcs/Tape&reel
 Mates With SCT1001H Series Housing

NO	PART NO	DIMENSION		NO	PART NO	DIMENSION	
		A	B			A	B
1	SCT1001WR-S-02	1.00	4.00	11	SCT1001WR-S-12	11.00	14.00
2	SCT1001WR-S-03	2.00	5.00	12	SCT1001WR-S-13	12.00	15.00
3	SCT1001WR-S-04	3.00	6.00	13	SCT1001WR-S-14	13.00	16.00
4	SCT1001WR-S-05	4.00	7.00	14	SCT1001WR-S-15	14.00	17.00
5	SCT1001WR-S-06	5.00	8.00	15	SCT1001WR-S-16	15.00	18.00
6	SCT1001WR-S-07	6.00	9.00	16	SCT1001WR-S-17	16.00	19.00
7	SCT1001WR-S-08	7.00	10.00	17	SCT1001WR-S-18	17.00	20.00
8	SCT1001WR-S-09	8.00	11.00	18	SCT1001WR-S-19	18.00	21.00
9	SCT1001WR-S-10	9.00	12.00	19	SCT1001WR-S-20	19.00	22.00
10	SCT1001WR-S-11	10.00	13.00				

How to Order Wire Harness?

A Type



Type A Configuration:

Type A Connector C1: _____

Type A Connector C2: _____

Type A L1 = _____ mm

Tolerance For L1= +/- _____ mm

Wire Specification:

UL Style: _____ AWG: _____

Pin Assignments And Wire Color

C1 Pin NO.-----Wire Color-----C2 Pin NO.

B Type



Type B Configuration:

Type B Connector C1: _____

Type B L1 = _____ mm

Tolerance For L1= +/- _____ mm

Strip L2 = _____ mm

Tolerance For Strip L2= +/- _____ mm

Wire Specification:

UL Style: _____ AWG: _____

Pin Assignments And Wire Color

C1 Pin NO.-----Wire Color
