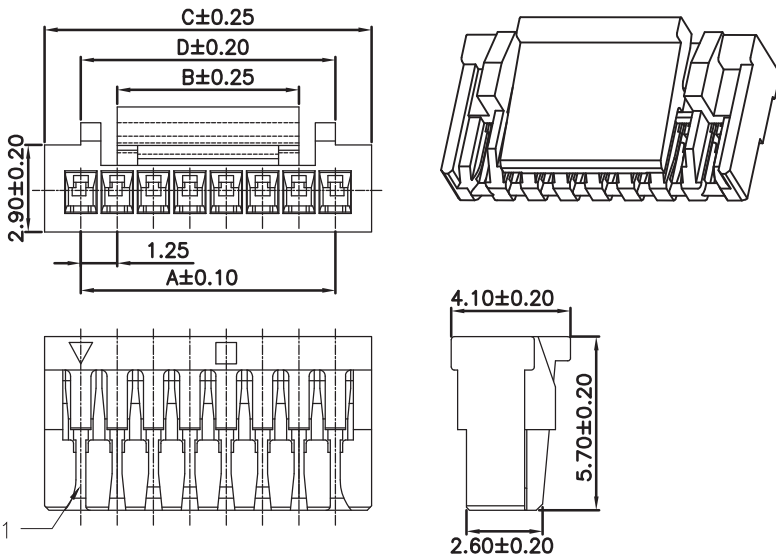
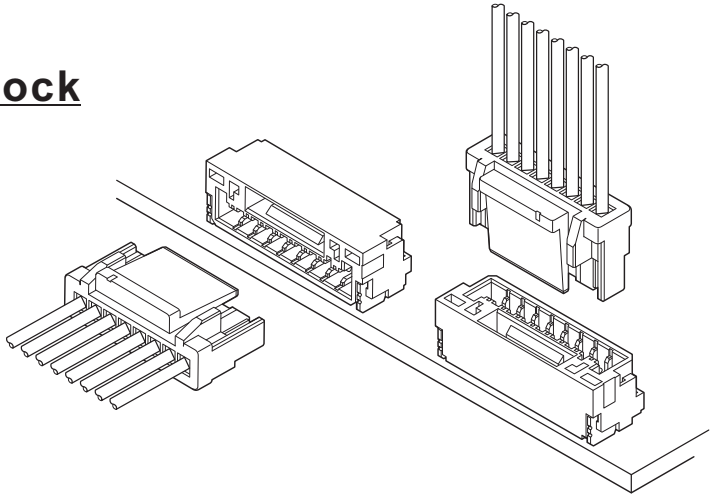


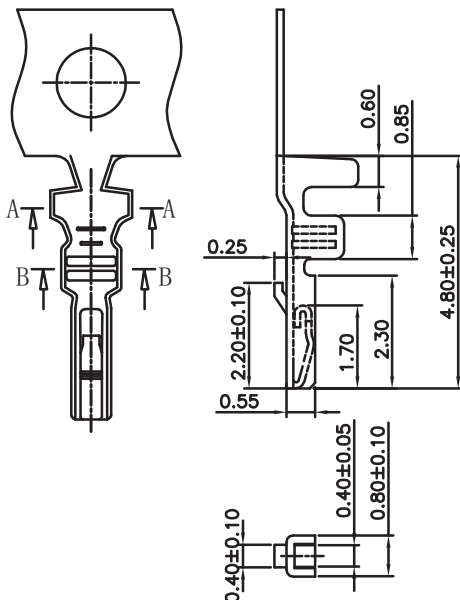
1. 25mm Pitch Connector With Lock

Specifications :
 Current Rating : 1A AC,DC
 Voltage Rating : 200V AC,DC
 Temperature Range : -40 deg C ~+85 deg C
 Contact Resistance : 20m Omega Max.
 Insulation Resistance : 100M Omega Min.
 Withstanding Voltage : 500V AC/minute

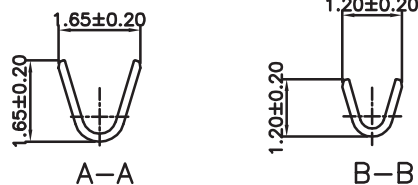


Part No:SCT1258H-XXP
 Poles:2-15P.
 Material:Nylon66, UL94V-0
 Packing Q'TY:1000pcs/bag
 Mates With SCT1258W Series Single Row Wafer

NO	PART NO	DIMENSION			
		A	B	C	D
1	SCT1258H-02	1.25	2.20	3.75	--
2	SCT1258H-03	2.50	3.20	5.00	--
3	SCT1258H-04	3.75	4.25	6.25	--
4	SCT1258H-05	5.00	4.25	7.50	--
5	SCT1258H-06	6.25	6.25	8.75	--
6	SCT1258H-07	7.50	6.25	10.00	--
7	SCT1258H-08	8.75	6.25	11.25	8.75
8	SCT1258H-09	10.00	6.25	12.50	10.00
9	SCT1258H-10	11.25	8.20	13.75	11.25
10	SCT1258H-11	12.50	8.20	15.00	12.50
11	SCT1258H-12	13.75	8.20	16.25	13.75
12	SCT1258H-13	15.00	8.20	17.50	15.00
13	SCT1258H-14	16.25	8.20	18.75	16.25
14	SCT1258H-15	17.50	8.20	20.00	17.50



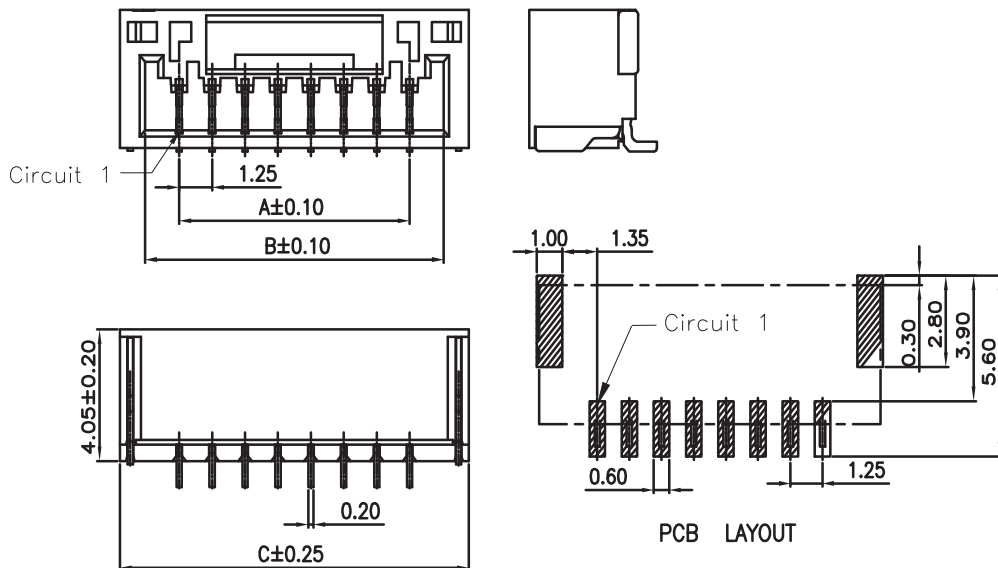
Part No:SCT1258-T
 Thickness:0.15mm
 Material:Phosphor bronze
 Wire Range:AWG#28-#30(OD:1.0mm)
 Q'TY:15,000pcs/reel
 Mates With SCT1258H- Series Housing



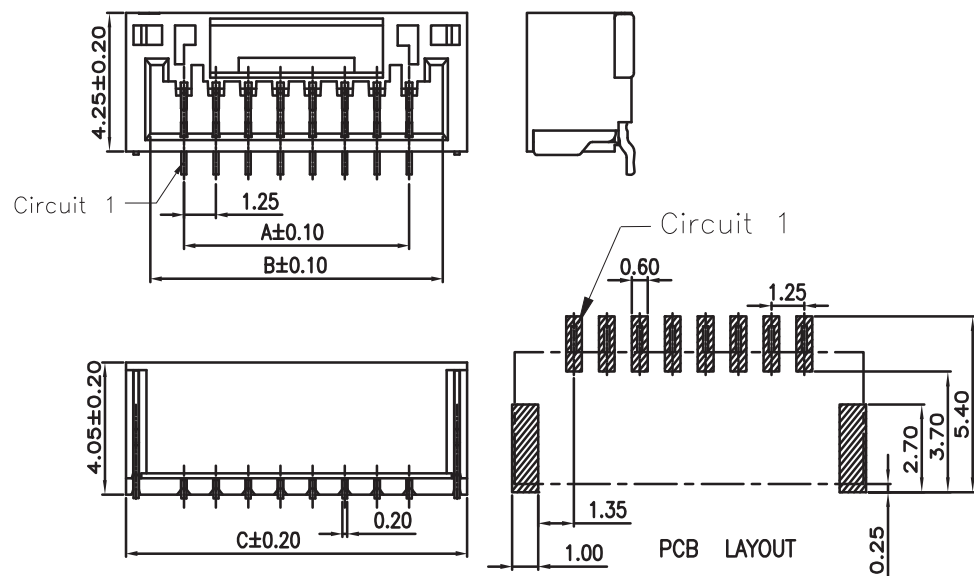


SCT1258 SERIES 1.25mm Pitch Wire to Board Crimp Connector

Part No: SCT1258WV-S-XXP
 Poles: 2-15P
 Material: Nylon9T UL94V-0
 Contact: Phosphor, Bronze, Tin Plated
 Packing Q'TY: 1000pcs/box
 Mates With SCT1258H- Series Single Row Housing



NO	PART NO	DIMENSION		
		A	B	C
1	SCT1258WV-S-02	1.25	3.85	5.75
2	SCT1258WV-S-03	2.50	5.10	7.00
3	SCT1258WV-S-04	3.75	6.35	8.25
4	SCT1258WV-S-05	5.00	7.60	9.50
5	SCT1258WV-S-06	6.25	8.85	10.75
6	SCT1258WV-S-07	7.50	10.10	12.00
7	SCT1258WV-S-08	8.75	11.35	13.25
8	SCT1258WV-S-09	10.00	12.60	14.50
9	SCT1258WV-S-10	11.25	13.85	15.75
10	SCT1258WV-S-11	12.50	15.10	17.00
11	SCT1258WV-S-12	13.75	16.35	18.25
12	SCT1258WV-S-13	15.00	17.60	19.50
13	SCT1258WV-S-14	16.25	18.85	20.75
14	SCT1258WV-S-15	17.50	20.10	22.00

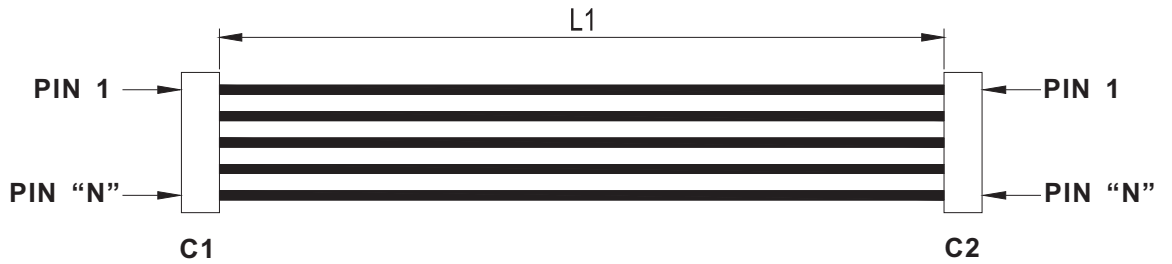


Part No: SCT1258WR-S-XXP
 Poles: 2-15P
 Material: Nylon9T UL94V-0
 Contact: Phosphor, Bronze, Tin Plated
 Packing Q'TY: 1000pcs/box
 Mates With SCT1258H- Series Single Row Housing

NO	PART NO	DIMENSION		
		A	B	C
1	SCT1258WR-S-02	1.25	3.85	5.75
2	SCT1258WR-S-03	2.50	5.10	7.00
3	SCT1258WR-S-04	3.75	6.35	8.25
4	SCT1258WR-S-05	5.00	7.60	9.50
5	SCT1258WR-S-06	6.25	8.85	10.75
6	SCT1258WR-S-07	7.50	10.10	12.00
7	SCT1258WR-S-08	8.75	11.35	13.25
8	SCT1258WR-S-09	10.00	12.60	14.50
9	SCT1258WR-S-10	11.25	13.85	15.75
10	SCT1258WR-S-11	12.50	15.10	17.00
11	SCT1258WR-S-12	13.75	16.35	18.25
12	SCT1258WR-S-13	15.00	17.60	19.50
13	SCT1258WR-S-14	16.25	18.85	20.75
14	SCT1258WR-S-15	17.50	20.10	22.00

How to Order Wire Harness?

A Type



Type A Configuration:

Type A Connector C1: _____

Type A Connector C2: _____

Type A L1 = _____ mm

Tolerance For L1= +/- _____ mm

Wire Specification:

UL Style: _____ AWG: _____

Pin Assignments And Wire Color

C1 Pin NO.-----Wire Color-----C2 Pin NO.

B Type



Type B Configuration:

Type B Connector C1: _____

Type B L1 = _____ mm

Tolerance For L1= +/- _____ mm

Strip L2 = _____ mm

Tolerance For Strip L2= +/- _____ mm

Wire Specification:

UL Style: _____ AWG: _____

Pin Assignments And Wire Color

C1 Pin NO.-----Wire Color
