

## 1. 50MM Pitch Crimp Connector

### Specifications :

Current Rating : 1A AC,DC

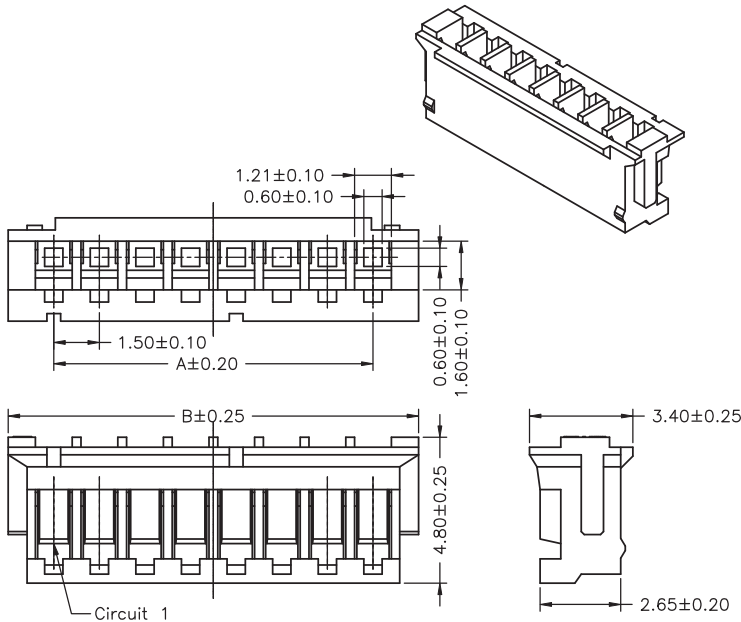
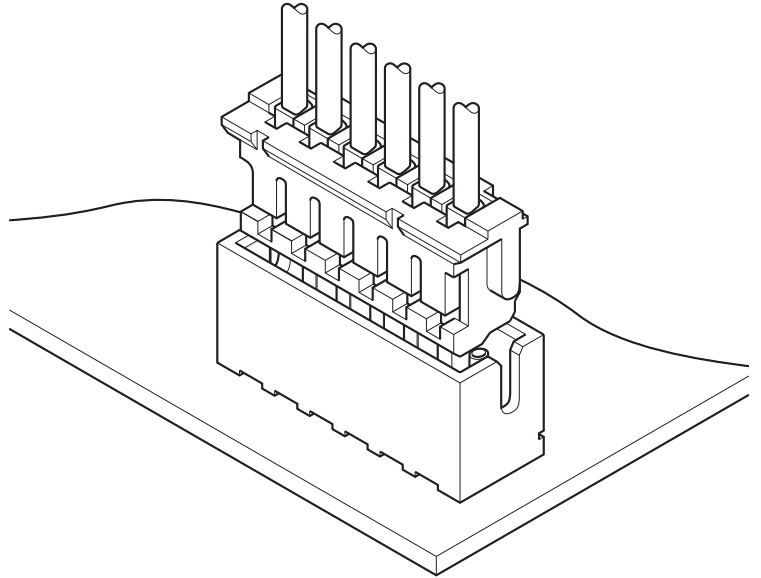
Voltage Rating : 100V AC,DC

Temperature Range : -25 deg C ~+85 deg C

Contact Resistance : 20m Omega Max.

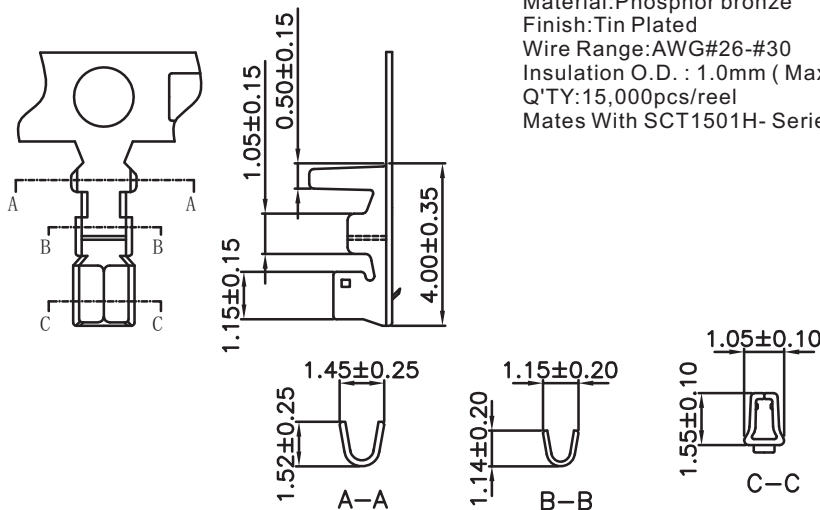
Insulation Resistance : 500M Omega Min.

Withstanding Voltage : 500V AC/minute

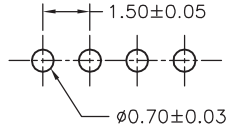
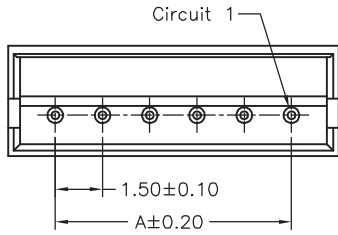


Part No:SCT1501H-XXP  
 Poles:2-16P.  
 Material:Nylon66 UL94V-0  
 Packing Q'TY:1000pcs/bag  
 Mates With SCT1501T Series Terminal

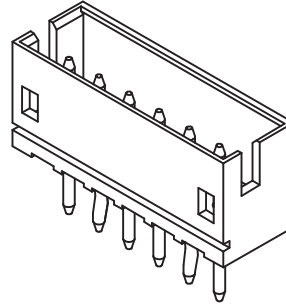
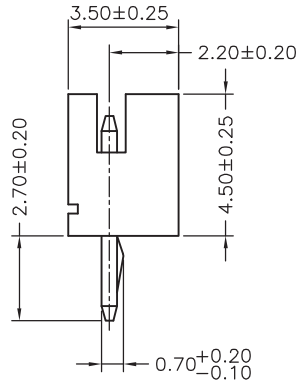
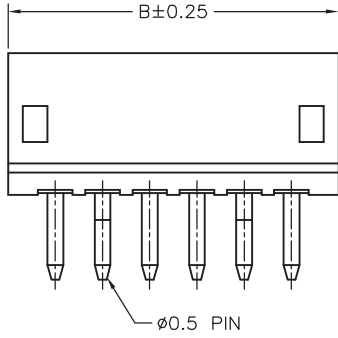
NO	PART NO	DIMENSION		NO	PART NO	DIMENSION	
		A	B			A	B
1	SCT1501H-02	1.50	4.50	9	SCT1501H-10	13.50	16.50
2	SCT1501H-03	3.00	6.00	10	SCT1501H-11	15.00	18.00
3	SCT1501H-04	4.50	7.50	11	SCT1501H-12	16.50	19.50
4	SCT1501H-05	6.00	9.00	12	SCT1501H-13	18.00	21.00
5	SCT1501H-06	7.50	10.50	13	SCT1501H-14	19.50	22.50
6	SCT1501H-07	9.00	12.00	14	SCT1501H-15	21.00	24.00
7	SCT1501H-08	10.50	13.50	15	SCT1501H-16	22.50	25.50
8	SCT1501H-09	12.00	15.00				



Part No:SCT1501-T  
 Thickness:0.20mm  
 Material:Phosphor bronze  
 Finish:Tin Plated  
 Wire Range:AWG#26-#30  
 Insulation O.D. : 1.0mm ( Max.)  
 Q'TY:15,000pcs/reel  
 Mates With SCT1501H- Series Housing

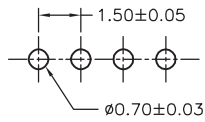
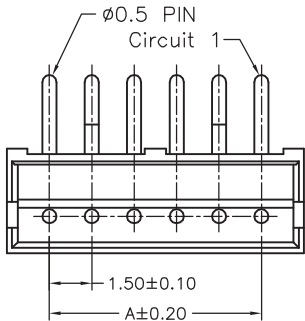


P.C.B LAYOUT

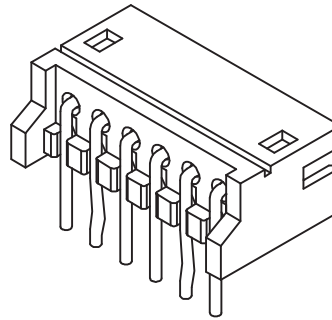
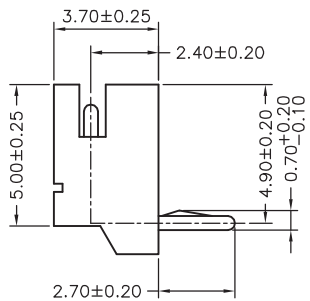
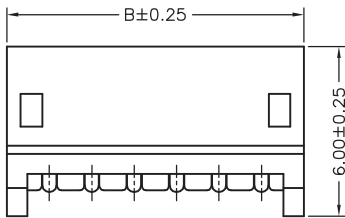


Part No: SCT1501WV-XXP  
 Poles: 2-16P  
 Material: Nylon66 UL94V-0  
 Packing Q'TY: 1000pcs/box  
 Mates With SCT1501H- Series  
 Single Row Housing

NO	PART NO	DIMENSION	
		A	B
1	SCT1501WV-02	1.50	4.50
2	SCT1501WV-03	3.00	6.00
3	SCT1501WV-04	4.50	7.50
4	SCT1501WV-05	6.00	9.00
5	SCT1501WV-06	7.50	10.50
6	SCT1501WV-07	9.00	12.00
7	SCT1501WV-08	10.50	13.50
8	SCT1501WV-09	12.00	15.00
9	SCT1501WV-10	13.50	16.50
10	SCT1501WV-11	15.00	18.00
11	SCT1501WV-12	16.50	19.50
12	SCT1501WV-13	18.00	21.00
13	SCT1501WV-14	19.50	22.50
14	SCT1501WV-15	21.00	24.00
15	SCT1501WV-16	22.50	25.50

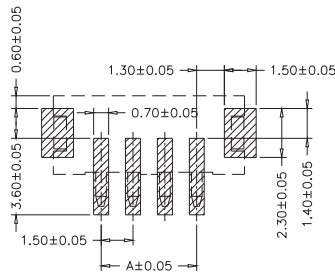
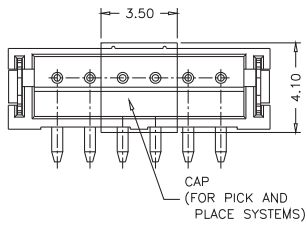


P.C.B LAYOUT

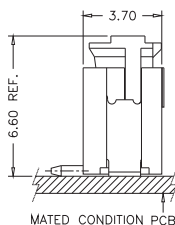
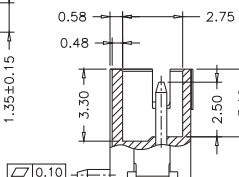
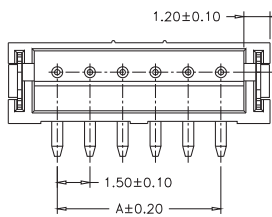


Part No: SCT1501WR-XXP  
 Poles: 2-16P  
 Material: Nylon66 UL94V-0  
 Packing Q'TY: 1000pcs/box  
 Mates With SCT1501H- Series  
 Single Row Housing

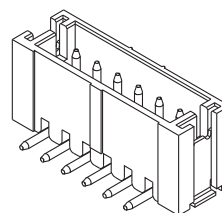
NO	PART NO	DIMENSION	
		A	B
1	SCT1501WR-02	1.50	4.50
2	SCT1501WR-03	3.00	6.00
3	SCT1501WR-04	4.50	7.50
4	SCT1501WR-05	6.00	9.00
5	SCT1501WR-06	7.50	10.50
6	SCT1501WR-07	9.00	12.00
7	SCT1501WR-08	10.50	13.50
8	SCT1501WR-09	12.00	15.00
9	SCT1501WR-10	13.50	16.50
10	SCT1501WR-11	15.00	18.00
11	SCT1501WR-12	16.50	19.50
12	SCT1501WR-13	18.00	21.00
13	SCT1501WR-14	19.50	22.50
14	SCT1501WR-15	21.00	24.00
15	SCT1501WR-16	22.50	25.50



P.C.B LAYOUT (TOP VIEW)



MATED CONDITION PCB



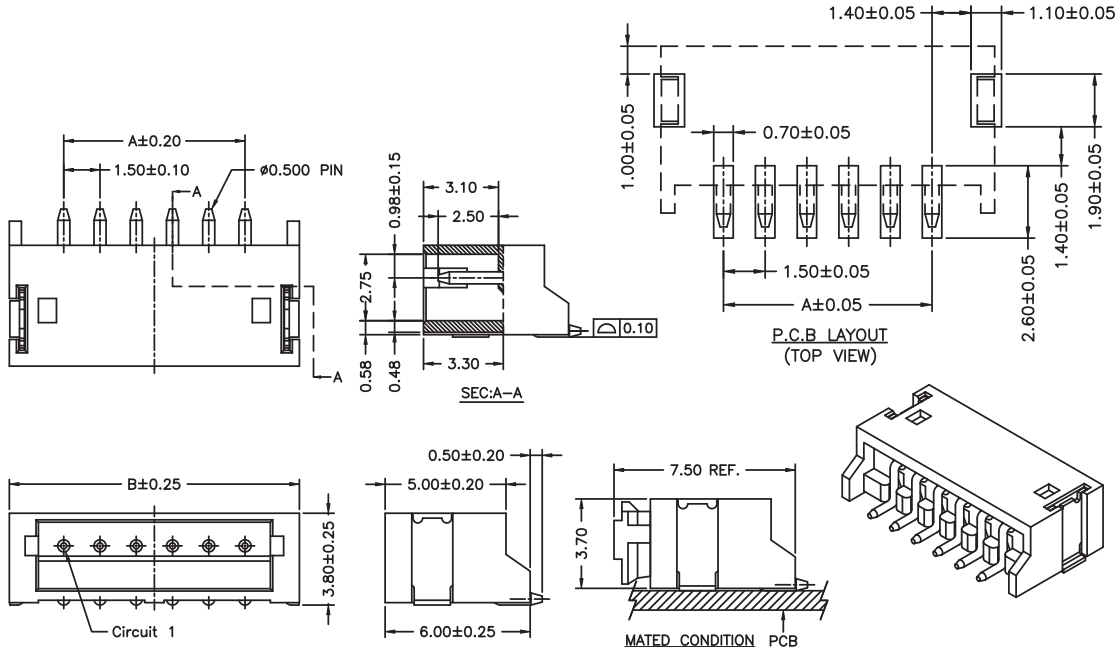
Part No: SCT1501WV-S-XXP  
 Poles: 2-13P  
 Material: Nylon46 UL94V-0  
 Cotact: Brass, Tin Plated  
 Packing Q'TY: 1000pcs/box  
 Mates With SCT1501H- Series  
 Single Row Housing

PART NO.	Dimensions	
	A	B
SCT1501WV-S-02	1.50	6.00
SCT1501WV-S-03	3.00	7.50
SCT1501WV-S-04	4.50	9.00
SCT1501WV-S-05	6.00	10.50
SCT1501WV-S-06	7.50	12.00
SCT1501WV-S-07	9.00	13.50
SCT1501WV-S-08	10.50	15.00
SCT1501WV-S-09	12.00	16.50
SCT1501WV-S-10	13.50	18.00
SCT1501WV-S-11	15.00	19.50
SCT1501WV-S-12	16.50	21.00
SCT1501WV-S-13	18.00	22.50



# SCT1501 SERIES

1.50mm Pitch Wire to Board Crimp Connector

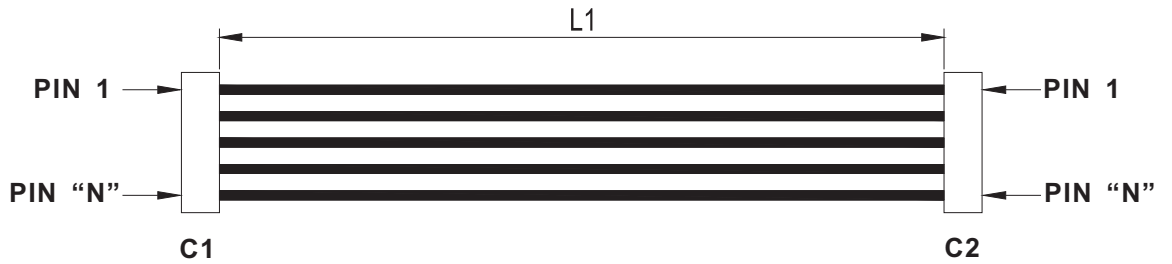


Part No: SCT1501WR-S-XXP  
 Poles:2-13P  
 Material:Nylon46 UL94V-0  
 Cotact: Brass, Tin Plated  
 Packing Q'TY:1000pcs/box  
 Mates With SCT1501H- Series  
 Single Row Housing

PART NO.	Dimensions	
	A	B
SCT1501WR-S-02	1.50	6.00
SCT1501WR-S-03	3.00	7.50
SCT1501WR-S-04	4.50	9.00
SCT1501WR-S-05	6.00	10.50
SCT1501WR-S-06	7.50	12.00
SCT1501WR-S-07	9.00	13.50
SCT1501WR-S-08	10.50	15.00
SCT1501WR-S-09	12.00	16.50
SCT1501WR-S-10	13.50	18.00
SCT1501WR-S-11	15.00	19.50
SCT1501WR-S-12	16.50	21.00
SCT1501WR-S-13	18.00	22.50

## How to Order Wire Harness?

### A Type



Type A Configuration:

Type A Connector C1: \_\_\_\_\_

Type A Connector C2: \_\_\_\_\_

Type A L1 = \_\_\_\_\_ mm

Tolerance For L1= +/- \_\_\_\_\_ mm

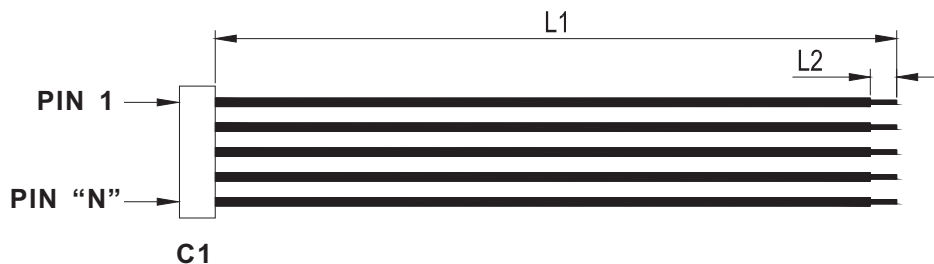
Wire Specification:

UL Style: \_\_\_\_\_ AWG: \_\_\_\_\_

### Pin Assignments And Wire Color

C1 Pin NO.-----Wire Color-----C2 Pin NO.


### B Type



Type B Configuration:

Type B Connector C1: \_\_\_\_\_

Type B L1 = \_\_\_\_\_ mm

Tolerance For L1= +/- \_\_\_\_\_ mm

Strip L2 = \_\_\_\_\_ mm

Tolerance For Strip L2= +/- \_\_\_\_\_ mm

Wire Specification:

UL Style: \_\_\_\_\_ AWG: \_\_\_\_\_

### Pin Assignments And Wire Color

C1 Pin NO.-----Wire Color
