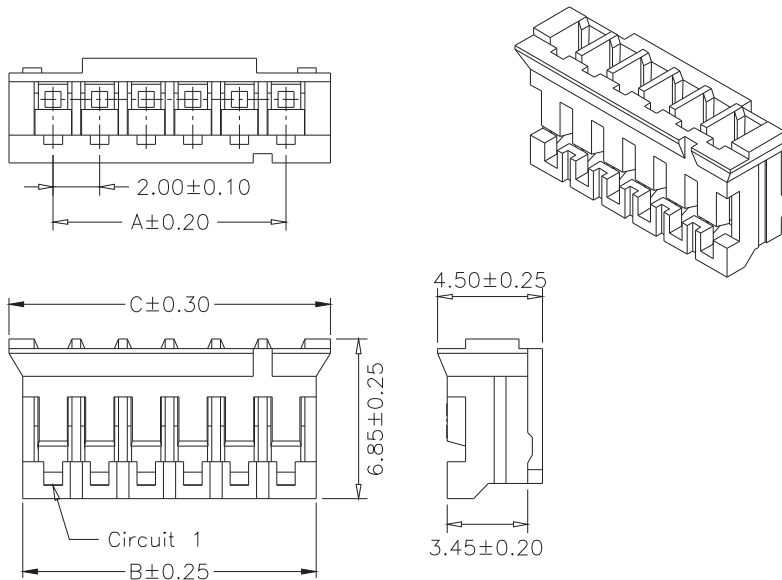
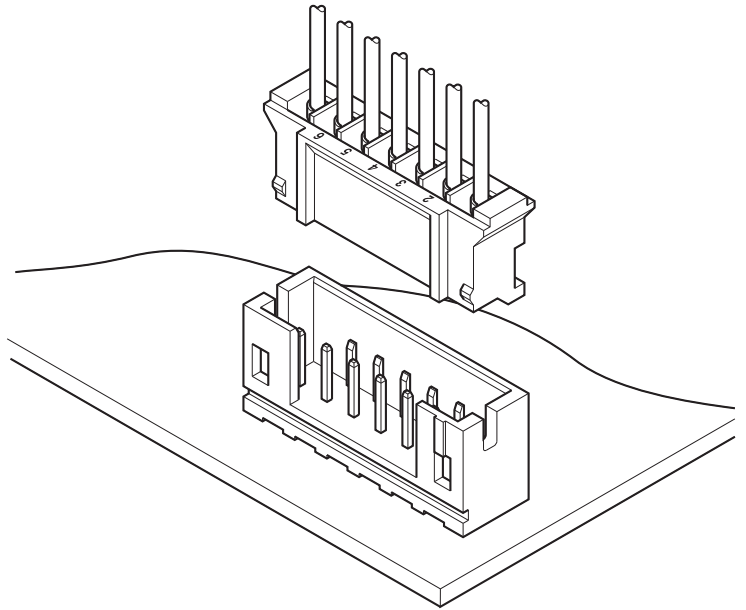


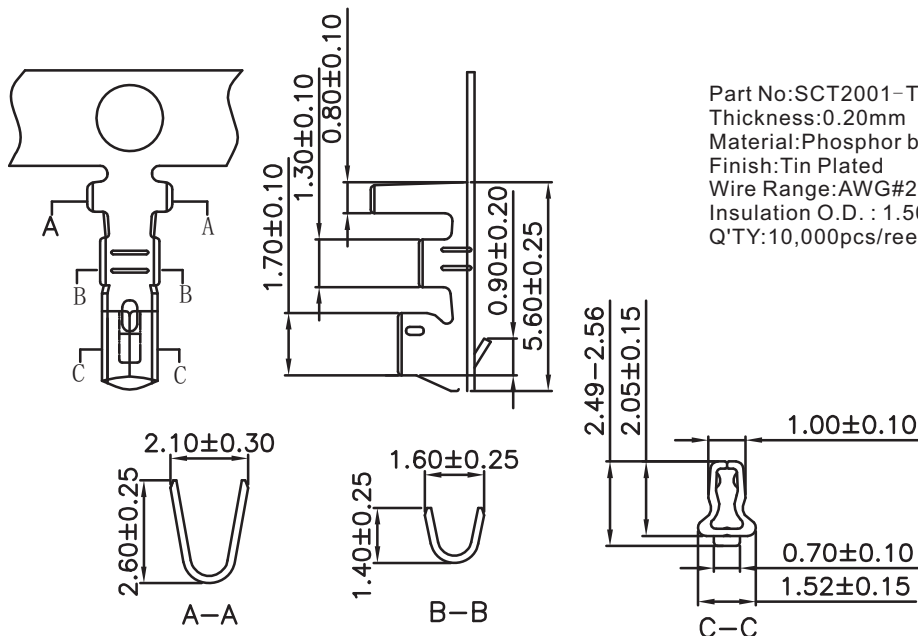
### 2. 0mm Pitch Crimp Connector

Specifications :  
 Current Rating : 2AAC,DC  
 Voltage Rating : 100V AC,DC  
 Temperature Range : -25 deg C ~+85 deg C  
 Contact Resistance : 20m Omega Max.  
 Insulation Resistance : 1000M Omega Min.  
 Withstanding Voltage : 800V AC/minute



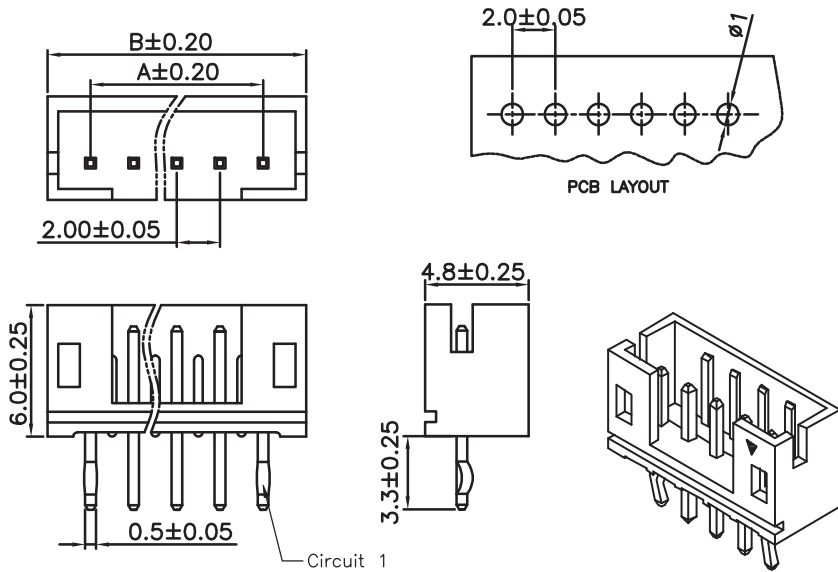
Part No:SCT2001H-XXP  
 Poles:2-16P.  
 Material:Nylon66 UL94V2  
 Packing Q'TY:1000pcs/bag  
 Mates With SCT2001T Series Terminal

NO	PART NO	DIMENSION		
		A	B	C
1	SCT2001H-02	2.00	4.60	5.80
2	SCT2001H-03	4.00	6.60	7.80
3	SCT2001H-04	6.00	8.60	9.80
4	SCT2001H-05	8.00	10.60	11.80
5	SCT2001H-06	10.00	12.60	13.80
6	SCT2001H-07	12.00	14.60	15.80
7	SCT2001H-08	14.00	16.60	17.80
8	SCT2001H-09	16.00	18.60	19.80
9	SCT2001H-10	18.00	20.60	21.80
10	SCT2001H-11	20.00	22.60	23.80
11	SCT2001H-12	22.00	24.60	25.80
12	SCT2001H-13	24.00	26.60	27.80
13	SCT2001H-14	26.00	28.60	29.80
14	SCT2001H-15	28.00	30.60	31.80
15	SCT2001H-16	30.00	32.60	33.80



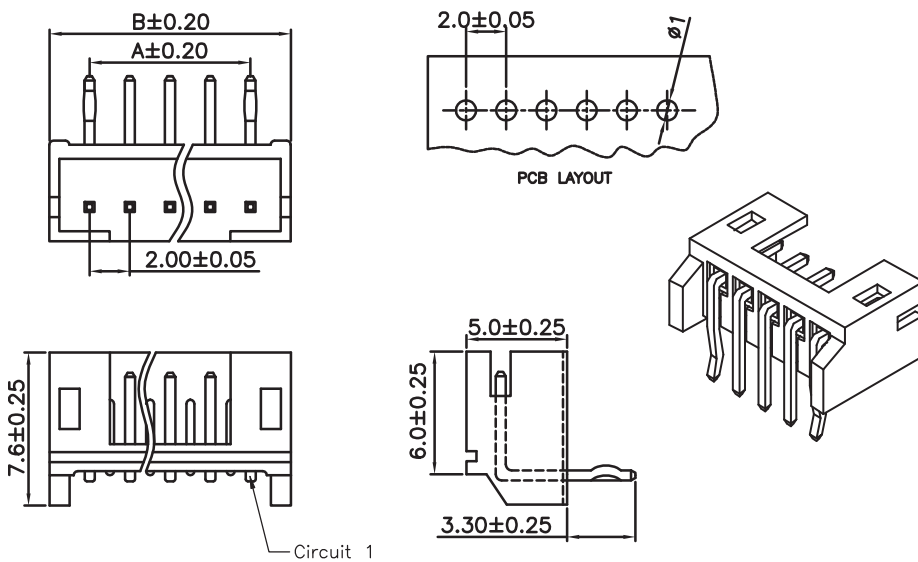
Part No:SCT2001-T  
 Thickness:0.20mm  
 Material:Phosphor bronze/ Brass  
 Finish:Tin Plated  
 Wire Range:AWG#22-#28  
 Insulation O.D. : 1.50mm ( Max.)  
 Q'TY:10,000pcs/reel

Part No: SCT2001WV-XXP  
 Poles: 2-16P  
 Material: Nylon66 UL94V-2  
 Packing Q'TY: 1000pcs/box  
 Mates With SCT2001H- Series Housing

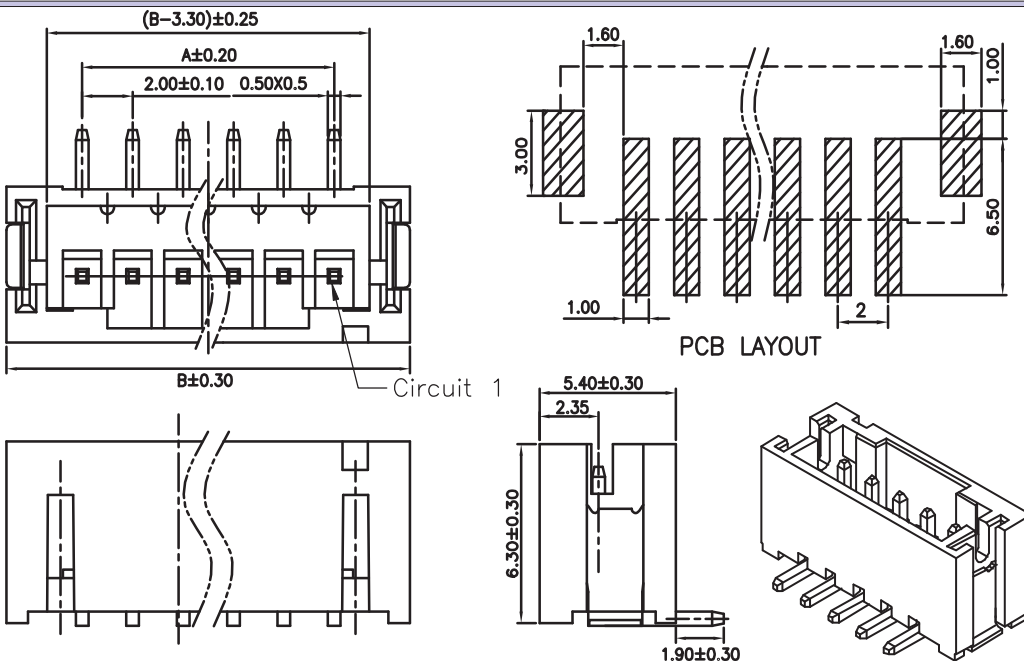


NO	PART NO	DIMENSION	
		A	B
1	SCT2001WV-02	2.00	6.00
2	SCT2001WV-03	4.00	8.00
3	SCT2001WV-04	6.00	10.00
4	SCT2001WV-05	8.00	12.00
5	SCT2001WV-06	10.00	14.00
6	SCT2001WV-07	12.00	16.00
7	SCT2001WV-08	14.00	18.00
8	SCT2001WV-09	16.00	20.00
9	SCT2001WV-10	18.00	22.00
10	SCT2001WV-11	20.00	24.00
11	SCT2001WV-12	22.00	26.00
12	SCT2001WV-13	24.00	28.00
13	SCT2001WV-14	26.00	30.00
14	SCT2001WV-15	28.00	32.00
15	SCT2001WV-16	30.00	34.00

Part No: SCT2001WR-XXP  
 Poles: 2-16P  
 Material: Nylon66 UL94V-2  
 Packing Q'TY: 1000pcs/box  
 Mates With SCT2001H- Series Housing



NO	PART NO	DIMENSION	
		A	B
1	SCT2001WR-02	2.00	6.00
2	SCT2001WR-03	4.00	8.00
3	SCT2001WR-04	6.00	10.00
4	SCT2001WR-05	8.00	12.00
5	SCT2001WR-06	10.00	14.00
6	SCT2001WR-07	12.00	16.00
7	SCT2001WR-08	14.00	18.00
8	SCT2001WR-09	16.00	20.00
9	SCT2001WR-10	18.00	22.00
10	SCT2001WR-11	20.00	24.00
11	SCT2001WR-12	22.00	26.00
12	SCT2001WR-13	24.00	28.00
13	SCT2001WR-14	26.00	30.00
14	SCT2001WR-15	28.00	32.00
15	SCT2001WR-16	30.00	34.00



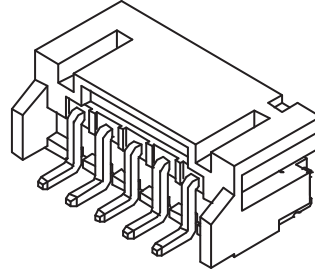
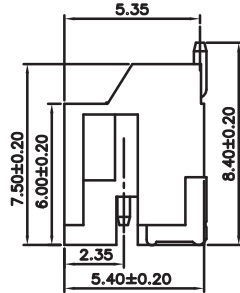
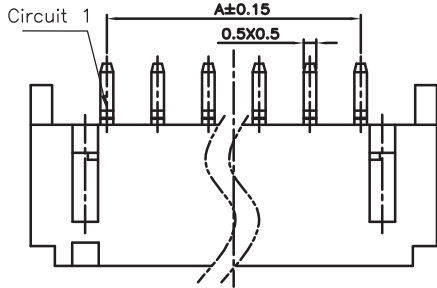
Part No: SCT2001WV-S-XXP  
 Poles: 2-16P  
 Material: Nylon9T UL94V-0  
 Pin: Brass, Tin Plated  
 Packing Q'TY: 700pcs/box  
 Mates With SCT2001H- Series Housing

PART NO.	Dimensions	
	A	B
SCT2001WV-S-02P	2.00	8.00
SCT2001WV-S-03P	4.00	10.00
SCT2001WV-S-04P	6.00	12.00
SCT2001WV-S-05P	8.00	14.00
SCT2001WV-S-06P	10.00	16.00
SCT2001WV-S-07P	12.00	18.00
SCT2001WV-S-08P	14.00	20.00
SCT2001WV-S-09P	16.00	22.00
SCT2001WV-S-10P	18.00	24.00
SCT2001WV-S-11P	20.00	26.00
SCT2001WV-S-12P	22.00	28.00
SCT2001WV-S-13P	24.00	30.00
SCT2001WV-S-14P	26.00	32.00
SCT2001WV-S-15P	28.00	34.00
SCT2001WV-S-16P	30.00	36.00

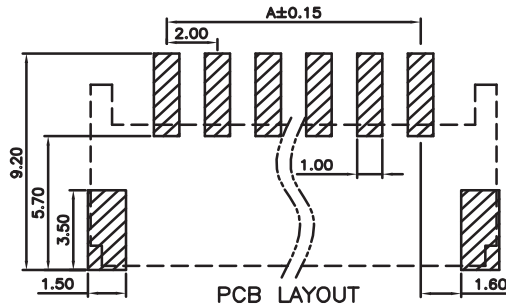
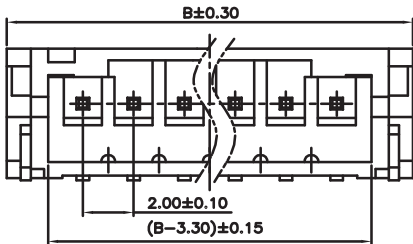


# SCT2001 SERIES

2.00mm Pitch Wire to Board Crimp Connector



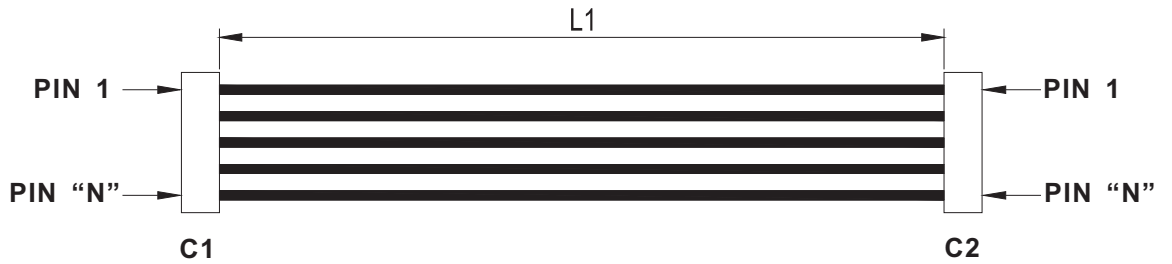
Part No: SCT2001WR-S-XXP  
 Poles: 2-16P  
 Material: Nylon6T UL94V-0  
 Pin: Brass, Tin Plated  
 Packing Q'TY: 1000pcs/box  
 Mates With SCT2001H- Series  
 Single Row Housing



PART NO.	Dimensions	
	A	B
SCT2001WR-S-2P	2.00	8.00
SCT2001WR-S-3P	4.00	10.00
SCT2001WR-S-4P	6.00	12.00
SCT2001WR-S-5P	8.00	14.00
SCT2001WR-S-6P	10.00	16.00
SCT2001WR-S-7P	12.00	18.00
SCT2001WR-S-8P	14.00	20.00
SCT2001WR-S-9P	16.00	22.00
SCT2001WR-S-10P	18.00	24.00
SCT2001WR-S-11P	20.00	26.00
SCT2001WR-S-12P	22.00	28.00
SCT2001WR-S-13P	24.00	30.00
SCT2001WR-S-14P	26.00	32.00
SCT2001WR-S-15P	28.00	34.00
SCT2001WR-S-16P	30.00	36.00

## How to Order Wire Harness?

### A Type



Type A Configuration:

Type A Connector C1: \_\_\_\_\_

Type A Connector C2: \_\_\_\_\_

Type A L1 = \_\_\_\_\_ mm

Tolerance For L1= +/- \_\_\_\_\_ mm

Wire Specification:

UL Style: \_\_\_\_\_ AWG: \_\_\_\_\_

### Pin Assignments And Wire Color

C1 Pin NO.-----Wire Color-----C2 Pin NO.


### B Type



Type B Configuration:

Type B Connector C1: \_\_\_\_\_

Type B L1 = \_\_\_\_\_ mm

Tolerance For L1= +/- \_\_\_\_\_ mm

Strip L2 = \_\_\_\_\_ mm

Tolerance For Strip L2= +/- \_\_\_\_\_ mm

Wire Specification:

UL Style: \_\_\_\_\_ AWG: \_\_\_\_\_

### Pin Assignments And Wire Color

C1 Pin NO.-----Wire Color
