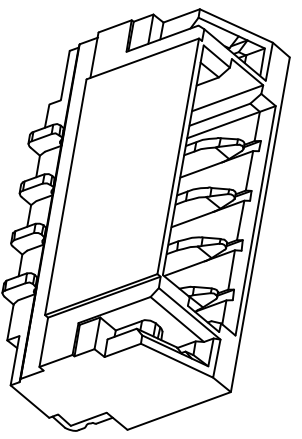
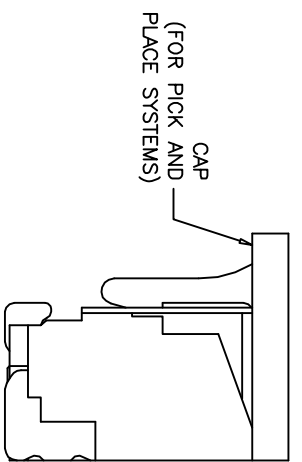
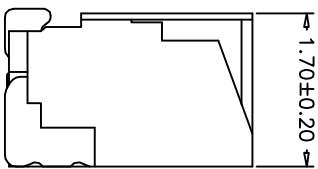


P.C.B. LAYOUT



SPECIFICATIONS

Current Rating: 0.5A AC,DC
 Voltage Rating: 30V AC,DC
 Temperature Range: -25°C ~ +85°C
 Contact Resistance: 20mΩ Max.
 Insulation Resistance: 100MΩ Min.
 Withstanding Voltage: 200V AC/minute
 Pin Material: Phosphor Bronze/Tin-plated
 Solder Tabs: Phosphor Bronze/Tin-plated
 Material: Nylon 6T,UL94V-0
 Cap: Nylon 6T,UL94V-0,Natural(Beige)
 Color: Natural(Beige)

| PART NO. | Dimensions | |
|----------------|------------|-------|
| | A | B |
| SCT0800W-S-02P | 0.80 | 3.80 |
| SCT0800W-S-04P | 2.40 | 5.40 |
| SCT0800W-S-08P | 5.60 | 8.60 |
| SCT0800W-S-10P | 7.20 | 10.20 |
| SCT0800W-S-12P | 8.80 | 11.80 |
| SCT0800W-S-14P | 10.40 | 13.40 |
| SCT0800W-S-15P | 11.20 | 14.20 |
| SCT0800W-S-16P | 12.00 | 15.00 |
| SCT0800W-S-17P | 12.80 | 15.80 |
| SCT0800W-S-20P | 15.20 | 18.20 |

| | | | | | |
|-----------|--------------------------|-----------|-------------|-------|----------------------------|
| OPERATION | | DRAW | | SCALE | |
| ~ 10 | ±0.15 | Micky.Liu | 2006/05/02 | mm | |
| 20 ~ 30 | ±0.30 | DESIGN | | A4 | PART NO. SCT0800W-S-XXP |
| 30 ~ | ±0.50 | CHECK | Judy.Huang | 1/1 | TITLE: 0.8 IDC 180C SMT WF |
| Angle | ± 2' | APPROVE | Hellen.Li | PROJ. | DRAWING NO. SCT0800 |
| DIM | TOL | CHANGE | | | |
| APPROVE | | APPROVE | | | |
| DATE | MODIFICATION DESCRIPTION | DATE | DESCRIPTION | DATE | DESCRIPTION |
| 05/12/27 | NEW | | | | |
| REV | | | | | |

