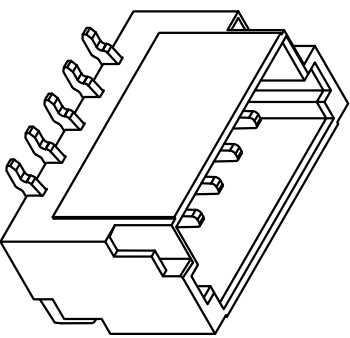


P.C.B LAYOUT

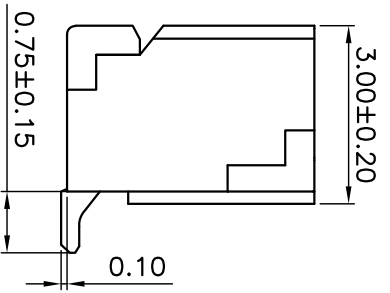
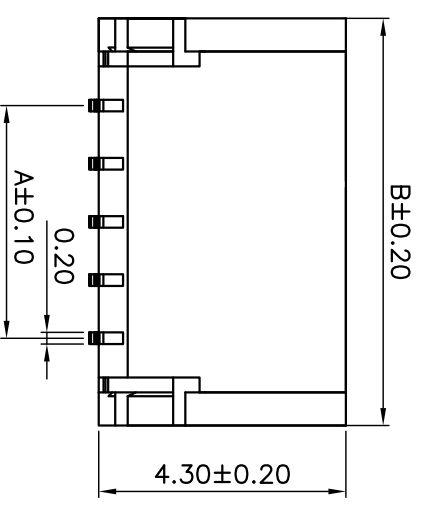


SPECIFICATIONS

Voltage rating: 50V AC, DC
 Current rating: 1.0A AC/DC (AWG#28)
 Withstanding voltage: 500V AC/minute
 Insulation resistance: 100MΩmin
 Temperature range: -25°C - +85°C
 Contact resistance: 20mΩ max

WAFER

Part No.: SCT1001WV-S-XX
 Poles: 2-20
 Material: Contact: Phos. Bronze, Tin Plated
 Base: PA9T, UL94V-0
 Q' TY: 1000 pcs/Tape & Reel



PART NO	DIMENSION	
	A	B
SCT1001WV-S-02	1.00	4.00
SCT1001WV-S-03	2.00	5.00
SCT1001WV-S-04	3.00	6.00
SCT1001WV-S-05	4.00	7.00
SCT1001WV-S-06	5.00	8.00
SCT1001WV-S-07	6.00	9.00
SCT1001WV-S-08	7.00	10.00
SCT1001WV-S-09	8.00	11.00
SCT1001WV-S-10	9.00	12.00
SCT1001WV-S-11	10.00	13.00

PART NO	DIMENSION	
	A	B
SCT1001WV-S-12	11.00	14.00
SCT1001WV-S-13	12.00	15.00
SCT1001WV-S-14	13.00	16.00
SCT1001WV-S-15	14.00	17.00
SCT1001WV-S-16	15.00	18.00
SCT1001WV-S-17	16.00	19.00
SCT1001WV-S-18	17.00	20.00
SCT1001WV-S-19	18.00	21.00
SCT1001WV-S-20	19.00	22.00

OPERATION	~ 10	±0.15	DRAWN	Micky Liu	2006/05/02	SCALE		森康达电子有限公司 S'CONDAR ELECTRONIC LIMITED
DESIGN	20 ~ 30	±0.30	CHECK	Judy Huang	2006/05/02	UNIT	mm	
ANGLE	30 ~	±0.50	APPROVE	Hellen Li	2006/05/02	SIZE	A4	PART NO. SCT1001WV-S-XXP TITLE: SH1.0 180C SMT WAFER DRAWING NO. SCT1001
DIM TOL	± Z'		PROJ.			SHEET	1/1	
REV	0	05/12/27	NEW					
DATE			MODIFICATION DESCRIPTION					