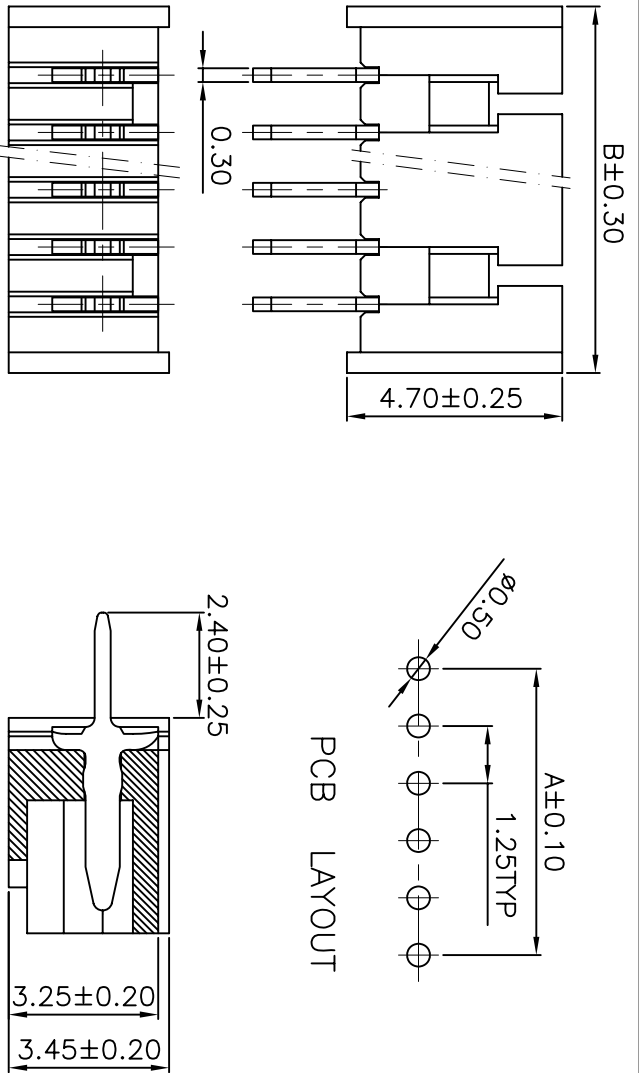


PCB LAYOUT



SPECIFICATIONS

Voltage rating: 125V AC, DC
 Current rating: 1A, AC, DC (AWG#26)
 Withstanding voltage: 500V AC/minute
 Insulation resistance: 100M Ω min
 Temperature range: -40 °C - +85°C
 Contact resistance: 20m Ω max

WAFER

Part No.: SCT1251WV-XXP
 Poles: 2-16
 Material: Nylon 46, UL94V-0
 Contact: Brass, Tin plated
 Q'TY: 1, 000 pcs/bag

PART NO	DIMENSION	
	A	B
SCT1251WV-02	1.25	4.25
SCT1251WV-03	2.50	5.50
SCT1251WV-04	3.75	6.75
SCT1251WV-05	5.00	8.00
SCT1251WV-06	6.25	9.25
SCT1251WV-07	7.50	10.50
SCT1251WV-08	8.75	11.75
SCT1251WV-09	10.00	13.00
SCT1251WV-10	11.25	14.25
SCT1251WV-11	12.50	15.50
SCT1251WV-12	13.75	16.75
SCT1251WV-13	15.00	18.00
SCT1251WV-14	16.25	19.25
SCT1251WV-15	17.50	20.50
SCT1251WV-16	18.75	21.75

REV	DATE	MODIFICATION DESCRIPTION	CHANGE	APPROVE	OPERATION	DRAW	SCALE
0	05/12/27	NEW			~ 10 ~ 30 30 ~ Angle DIM	DESIGN CHECK Judy.Huang	UNIT mm
					± 2 TOL	APPROVE Hellen.Li	SIZE A4
						2006/05/02	SHEET 1/1
						2006/05/02	TITLE: MX1.25 180C WAFER
							DRAWING NO. SCT1251

SCONDAR 森康达电子有限公司
 SCONDAR ELECTRONIC LIMITED