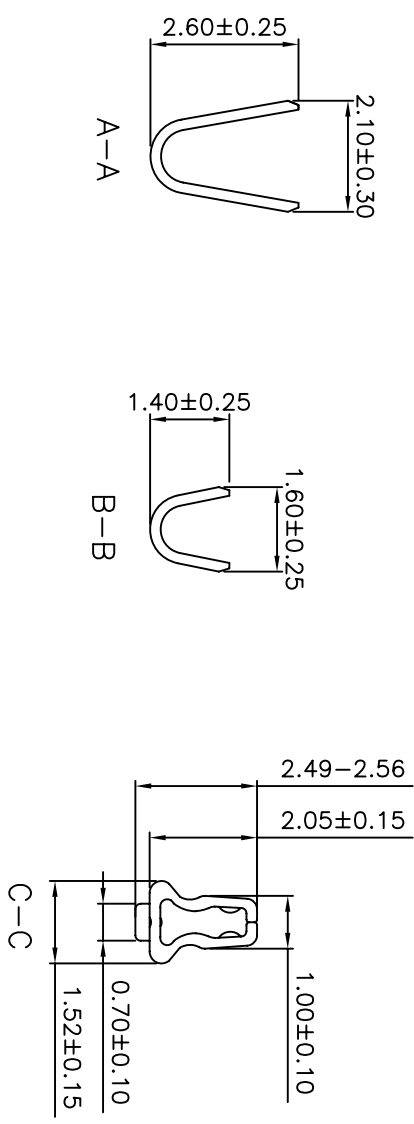


SPECIFICATIONS
 Voltage Rating: 100V AC/DC
 Current Rating: 2A AC/DC
 Withstanding Voltage: 800V AC/minute
 Insulation Resistance: 1,000MΩ min.
 Temperature Range: -25° C - +85° C
 Contact Resistance: 20mΩ max

TERMINAL

Part No: SCT2001TPB
 Wire Range: AWG#22-#28 (OD1.5mm)
 Material: Phos. Bronze
 Finish: Tin Plated
 Thickness: 0.2mm
 Q\TY: 10, 000PCS/Reel



OPERATION	~ 10	±0.15	DRAW	Judy.Huang	2006/05/02	SCALE	
	20 ~ 30	±0.30	DESIGN			UNIT	mm
	30 ~	±0.50	CHECK	Micky.Liu	2006/05/02	SIZE	A4
ANGLE		± 2'	APPROVE	Hellen.Li	2006/05/02	SHEET	1/1
DIM						PROJ.	

REV	DATE	MODIFICATION DESCRIPTION	CHANGE	APPROVE
0	05/12/27	NEW		
1				

SCONDAR	森康达电子有限公司
SCONDAR ELECTRONIC LIMITED	
PART NO.	SCT2001TPB
TITLE:	PH2.0 TERMINAL
DRAWING NO.	SCT2001