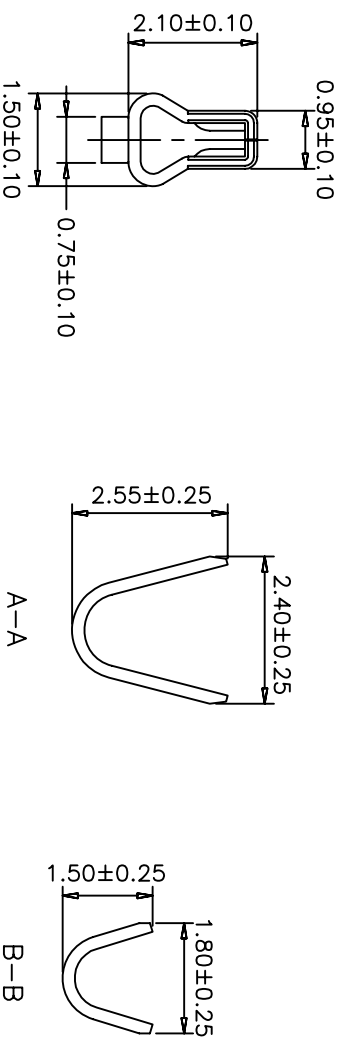


SPECIFICATIONS

Voltage Rating: 250V AC/DC
 Current Rating: 2A AC/DC
 Withstanding Voltage: 800V AC/minute
 Insulation Resistance: 1,000M Ω min.
 Temperature Range: -25 $^{\circ}$ C - +85 $^{\circ}$ C
 Contact Resistance: 20m Ω max

TERMINAL

Part No: SCT2005T
 Wire Range: AWG#24-#28 (OD1.5mm)
 Material: Phos. Bronze
 Finish: Tin Plated
 Thickness: 0.2mm
 Q\TY: 10,000PCS/Reel



OPERATION		DRAW		SCALE		森康达电子有限公司 SCONDAR ELECTRONIC LIMITED	
~ 10 ± 0.20		DESIGN		UNIT			
20 ~ 30 ± 0.30		Micky.Liu		mm			
30 ~ Angle DIM		CHECK		SIZE		PART NO.	
± 2		Hellen.Li		A4		SCT2005T	
TOL		APPROVE		SHEET		TITLE:	
±		Hellen.Li		1/1		JAE2.0 TERMINAL	
DATE		CHANGE		PROJ.		DRAWING NO.	
05/12/27		APPROVE		2006/05/02		SCT2005T	
NEW		DATE		2006/05/02		DRAWING NO.	
MODIFICATION DESCRIPTION		DATE		2006/05/02		DRAWING NO.	
NEW		DATE		2006/05/02		DRAWING NO.	
DATE		DATE		DATE		DATE	
DATE		DATE		DATE		DATE	