

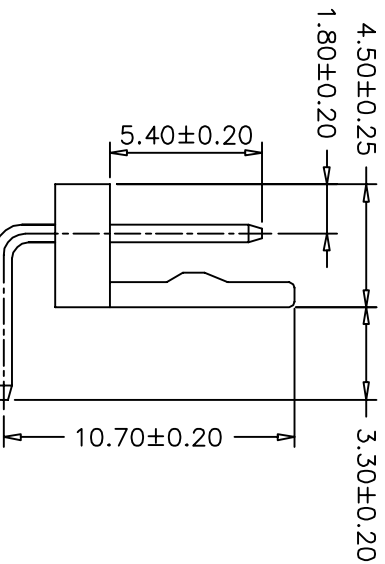
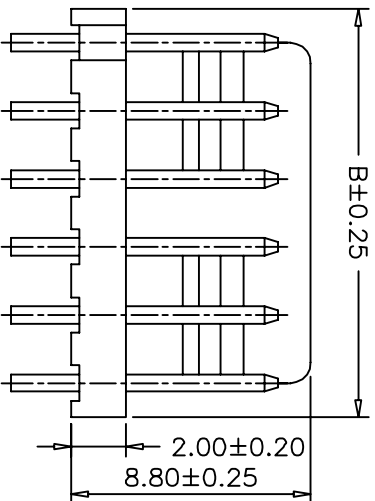
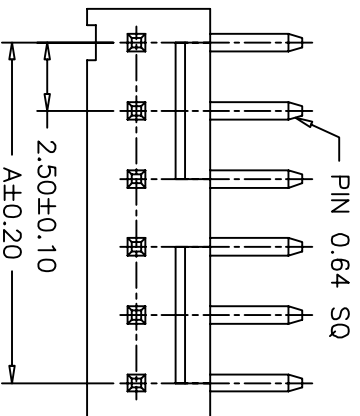
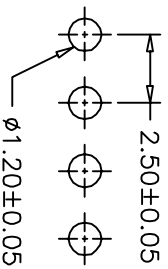
SPECIFICATIONS

Voltage Rating: 250V AC/DC
 Current Rating: 3A AC/DC
 Withstanding Voltage: 800V AC/minute
 Insulation Resistance: 1000MΩ min.
 Temperature Range: -25° C - +85° C
 Contact Resistance: 20mΩ max

WAFER

Part No: SCT2503WR-XXP
 Poles: 2-20
 Material: Nylon 66, UL94V-2
 Pin: Brass, Tin plated

P.C.B LAYOUT



PART NO.	Dimensions	
	A	B
SCT2503WR-02P	2.50	5.00
SCT2503WR-03P	5.00	7.50
SCT2503WR-04P	7.50	10.00
SCT2503WR-05P	10.00	12.50
SCT2503WR-06P	12.50	15.00
SCT2503WR-07P	15.00	17.50
SCT2503WR-08P	17.50	20.00
SCT2503WR-09P	20.00	22.50
SCT2503WR-10P	22.50	25.00
SCT2503WR-11P	25.00	27.50
SCT2503WR-12P	27.50	30.00
SCT2503WR-13P	30.00	32.50
SCT2503WR-14P	32.50	35.00
SCT2503WR-15P	35.00	37.50
SCT2503WR-16P	37.50	40.00
SCT2503WR-17P	40.00	42.50
SCT2503WR-18P	42.50	45.00
SCT2503WR-19P	45.00	47.50
SCT2503WR-20P	47.50	50.00

REV	DATE	MODIFICATION DESCRIPTION	CHANGE	APPROVE	OPERATION	DRAW	CHEMIA	SCALE	PART NO.
0	05/12/27	NEW			~ 10 ±0.15 20 ~ 30 ±0.30 30 ~ ±0.50 Angle DIM TOL ± 2'	DESIGN		mm	SCT2503WR-XXP
						CHECK	MICKY	A4	Dupont 2.5 90C WAFER
						APPROVE	HELLEN	1/1	
1							05/12/28	PROJ.	DRAWING NO. SCT2503

SCONDAR 森康达电子有限公司
 SCONDAR ELECTRONIC LIMITED