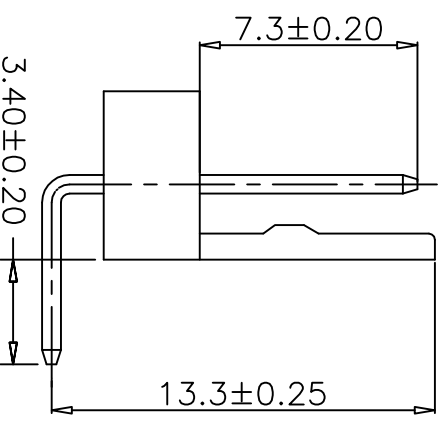
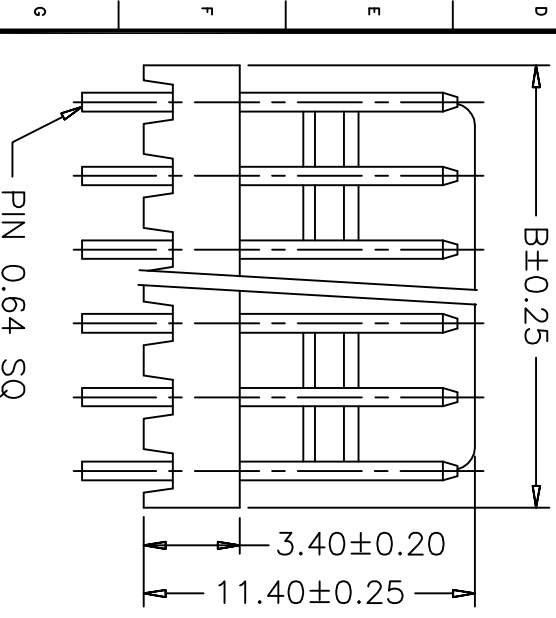
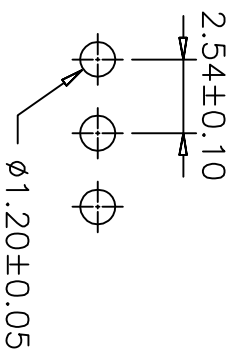


WAFER
 Part No: SCT2541WR-XXP
 Poles: 2-20
 Material: Nylon 66, UL94V-2
 Pin: Brass, Tin plated



P.C.B LAYOUT

SPECIFICATIONS
 Voltage Rating: 250V AC/DC
 Current Rating: 4A AC/DC
 Withstanding Voltage: 1000V AC/minute
 Insulation Resistance: 1000MΩ min.
 Temperature Range: -25° C - +85° C
 Contact Resistance: 20mΩ max

PART NO.	Dimensions	
	A	B
SCT2541WR-02P	2.54	5.08
SCT2541WR-03P	5.08	7.62
SCT2541WR-04P	7.62	10.16
SCT2541WR-05P	10.16	12.70
SCT2541WR-06P	12.70	15.24
SCT2541WR-07P	15.24	17.78
SCT2541WR-08P	17.78	20.32
SCT2541WR-09P	20.32	22.86
SCT2541WR-10P	22.86	25.40
SCT2541WR-11P	25.40	27.94
SCT2541WR-12P	27.94	30.48
SCT2541WR-13P	30.48	33.02
SCT2541WR-14P	33.02	35.56
SCT2541WR-15P	35.56	38.10
SCT2541WR-16P	38.10	40.64
SCT2541WR-17P	40.64	43.18
SCT2541WR-18P	43.18	45.72
SCT2541WR-19P	45.72	48.26
SCT2541WR-20P	48.26	50.80

REV	DATE	MODIFICATION DESCRIPTION	CHANGE	APPROVE	OPERATION	DRAW	YANG	SCALE	PART NO.	TITLE:	DRAWING NO.
0	05/12/27	NEW			~ 10 ±0.15 20 ~ 30 ±0.30 30 ~ ±0.50 Angle ± 2° DIM TOL.	DESIGN		mm	SCT2541WR-XXP	MX2.54 90C Wafer	SCT2541
						CHECK	MICKY	A4			
						CHECK	ALLEN	1/1			

SCONDAR 森康达电子有限公司
 SCONDAR ELECTRONIC LIMITED