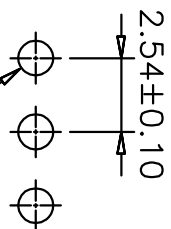
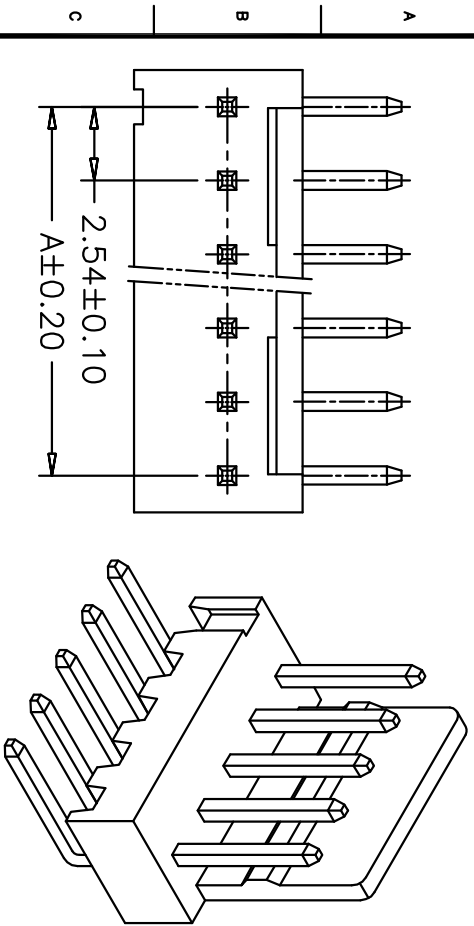
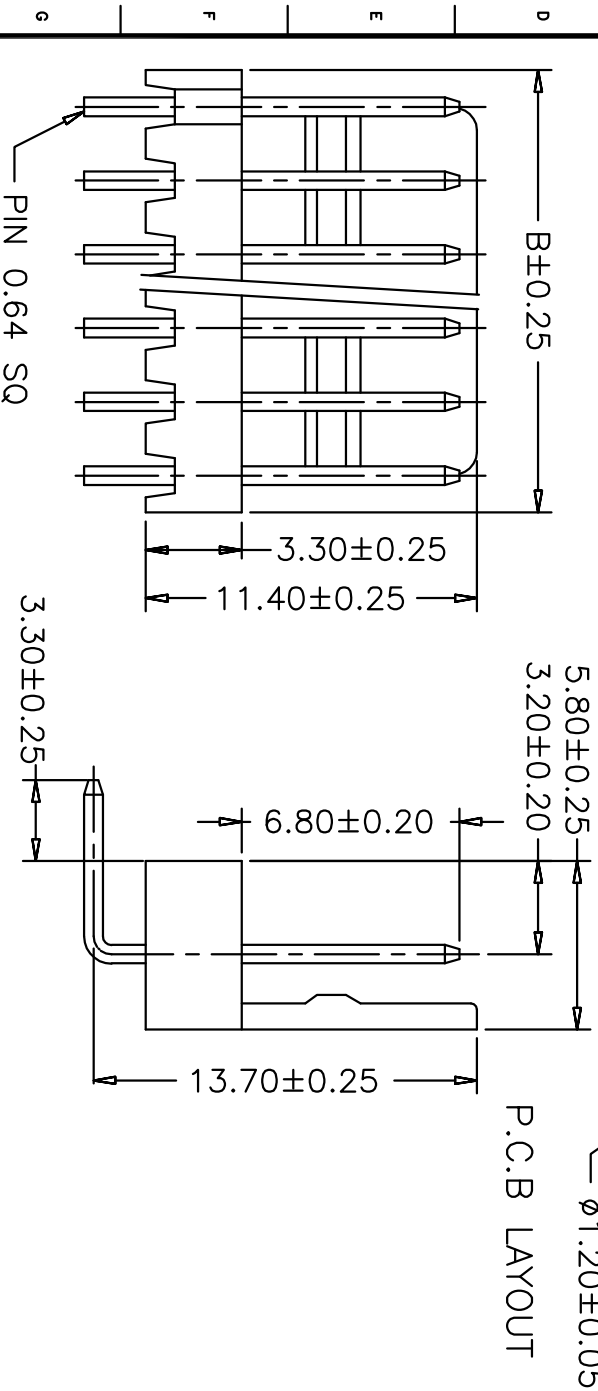


WAFER
 Part No: SCT2541WR-XXPF
 Poles: 2-20
 Material: Nylon 66, UL94V-2
 Pin: Brass, Tin plated

SPECIFICATIONS
 Voltage Rating: 250V AC/DC
 Current Rating: 4A AC/DC
 Withstanding Voltage: 1000V AC/minute
 Insulation Resistance: 1000MΩ min.
 Temperature Range: -25° C - +85° C
 Contact Resistance: 20mΩ max



P.C.B LAYOUT



PART NO.	Dimensions	
	A	B
SCT2541WR-02PF	2.54	5.08
SCT2541WR-03PF	5.08	7.62
SCT2541WR-04PF	7.62	10.16
SCT2541WR-05PF	10.16	12.70
SCT2541WR-06PF	12.70	15.24
SCT2541WR-07PF	15.24	17.78
SCT2541WR-08PF	17.78	20.32
SCT2541WR-09PF	20.32	22.86
SCT2541WR-10PF	22.86	25.40
SCT2541WR-11PF	25.40	27.94
SCT2541WR-12PF	27.94	30.48
SCT2541WR-13PF	30.48	33.02
SCT2541WR-14PF	33.02	35.56
SCT2541WR-15PF	35.56	38.10
SCT2541WR-16PF	38.10	40.64
SCT2541WR-17PF	40.64	43.18
SCT2541WR-18PF	43.18	45.72
SCT2541WR-19PF	45.72	48.26
SCT2541WR-20PF	48.26	50.80

OPERATION	DRAW	CHENA	SCALE
~ 10 ±0.15	DESIGN		mm
20 ~ 30 ±0.30	CHECK	MICKY	A4
30 ~ ±0.50	CHECK	MICKY	1/1
Angle DIM	APPROVE	HELLEN	
± 2 TOL	APPROVE	HELLEN	
	CHANGE		
	APPROVE		
	DESCRIPTION		
	NEW		
0	DATE	05/12/27	
REV	DATE		

SCT 森康达电子有限公司
 SCONDAR ELECTRONIC LIMITED

PART NO. SCT2541WR-XPF
 TITLE: MX2.54 90C Wafer
 DRAWING NO. SCT2541