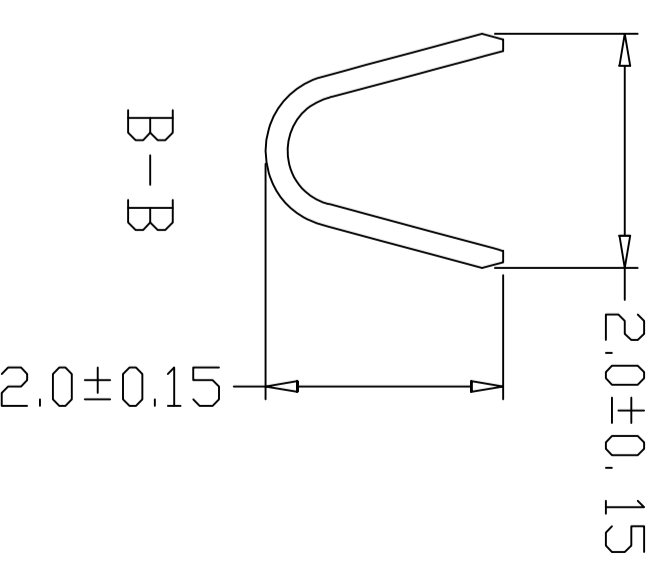
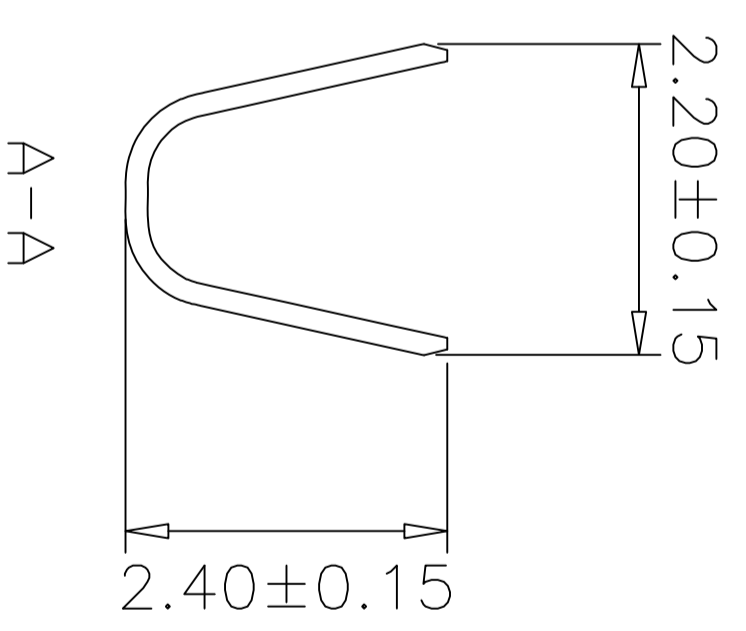
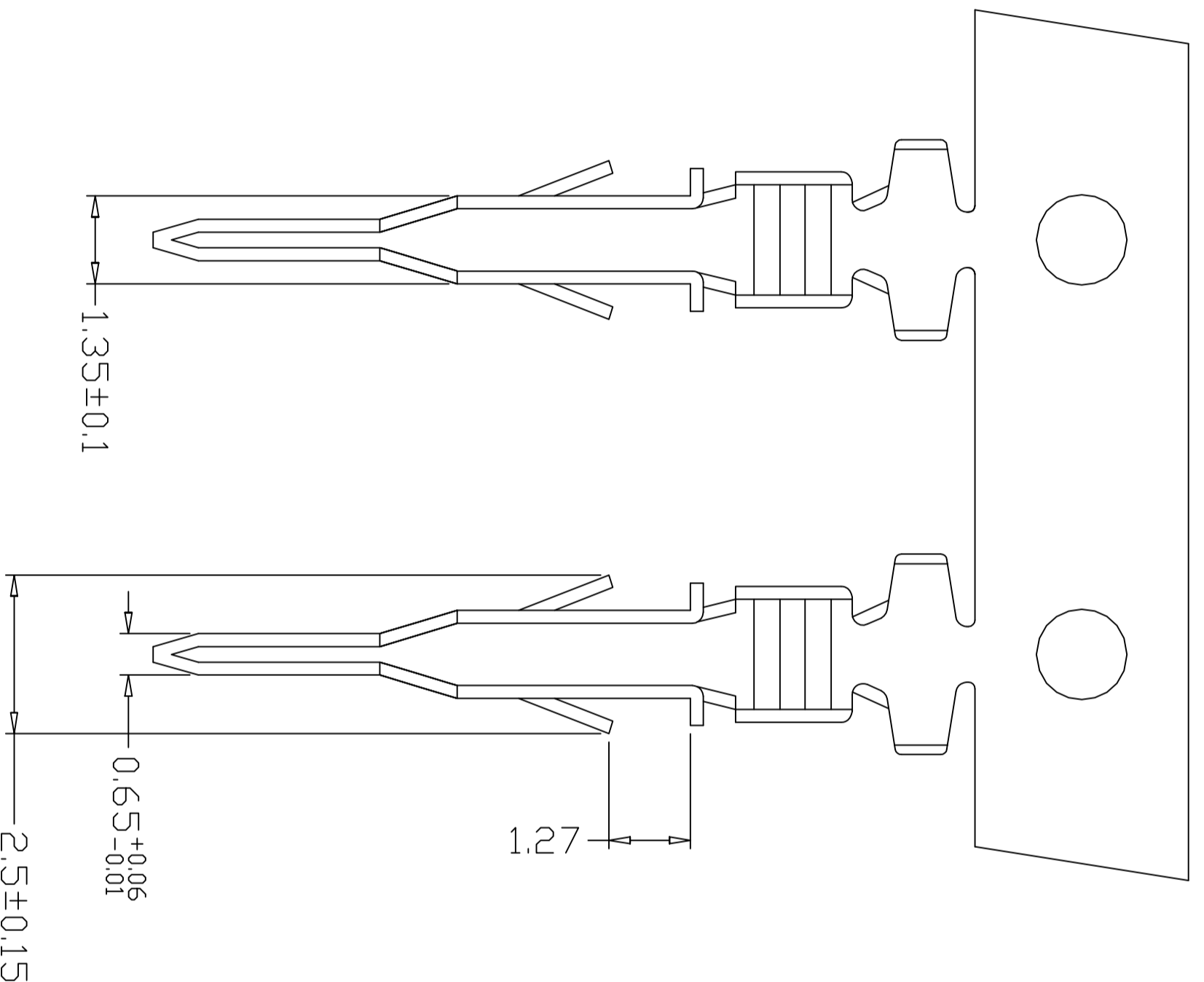
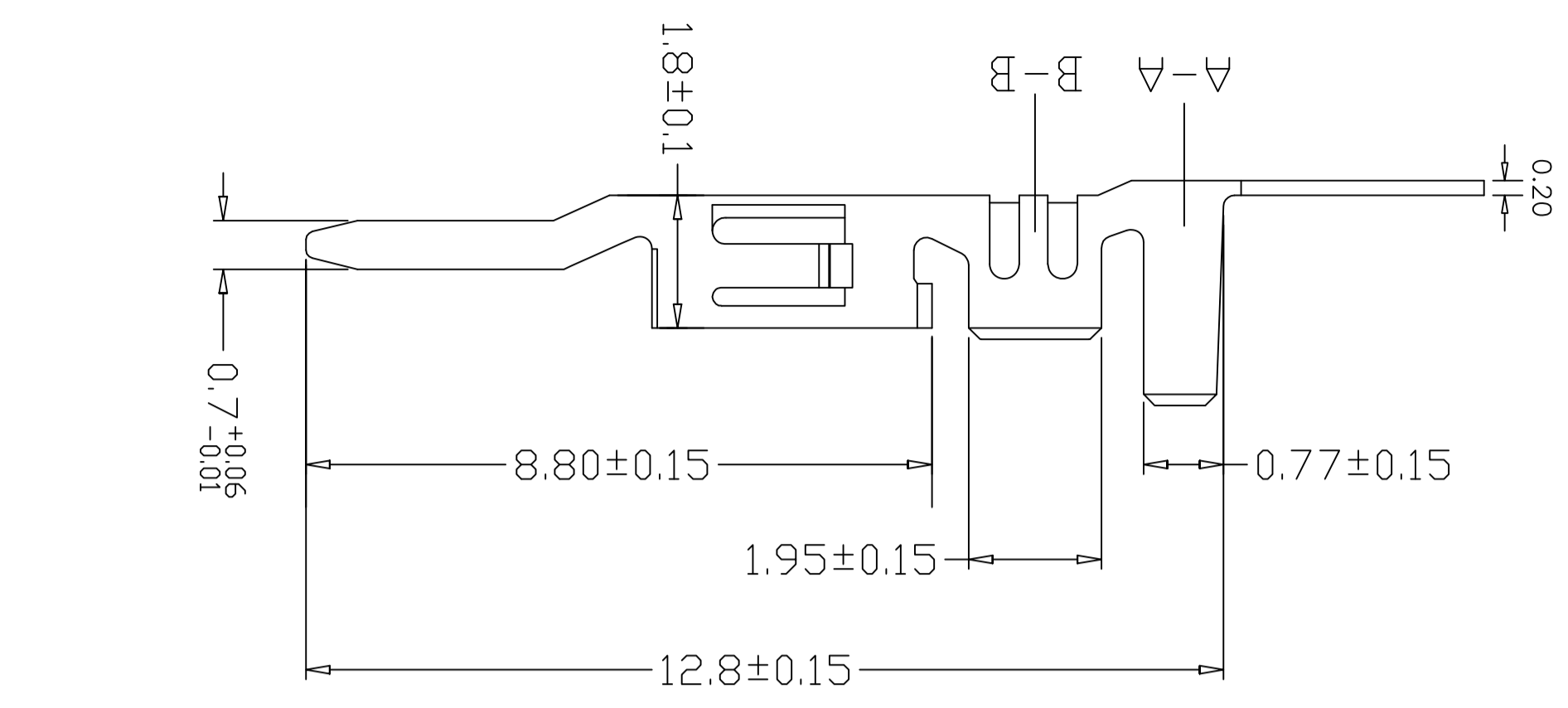


SPECIFICATIONS

Voltage Rating: 250V AC/DC
 Current Rating: 5A AC/DC
 Withstanding Voltage: 1500V AC/minute
 Insulation Resistance: 1000MΩ min.
 Temperature Range: -25° C - +85° C
 Contact Resistance: 20mΩ max

TERMINAL

Part No: SCT3001MTPB
 Wire Range: AWG#18-#24 (OD1. 85mm max)
 Material: Phosphor Bronze
 Finish: Tin Plated
 Thickness: 0.2mm
 Q'TY: 10, 000PCS/Reel



REV	DATE	MODIFICATION DESCRIPTION	CHANGE	APPROVE	OPERATION ~ 10 ±0.15	DRAW	Judy.Huang	2015\05\20	SCALE	UNIT	PART NO.	SCT3001MTPB
0	05/12/27	NEW			20 ~ 30 ±0.30	DESIGN			mm	A4		
					30 ~ Angle ± 2°	CHECK	JET YU	2015\05\20	SHEET	1/1	TITLE:	MX3.0 MALE TERMINAL
					DIM TOL	APPROVE	ALLEN	2015\05\20	PROJ.		DRAWING NO.	SCT3001

SCONDAR 森康达电子有限公司
 SCONDAR ELECTRONIC LIMITED