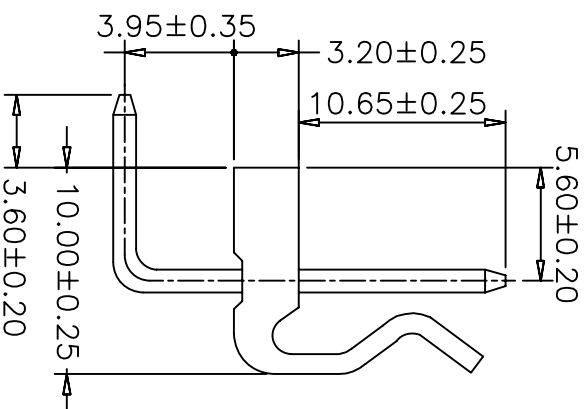
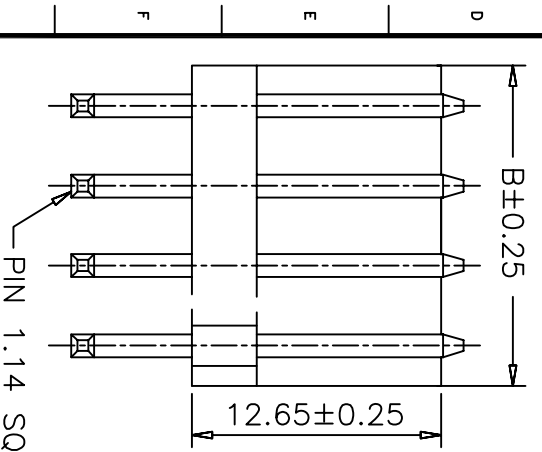
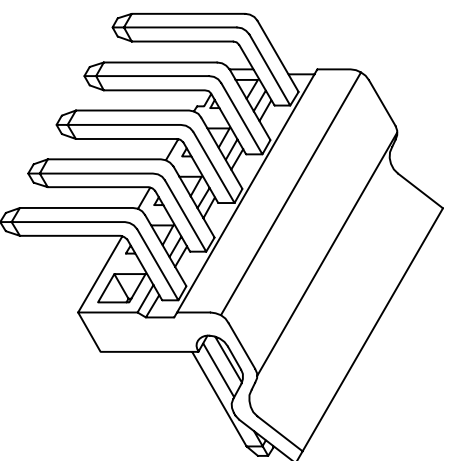


P.C.B LAYOUT



PART NO.	Dimensions		PART NO.	Dimensions	
	A	B		A	B
SCT3960WR-2P	3.96	7.92	SCT3960WR-12P	43.56	47.52
SCT3960WR-3P	7.92	11.88	SCT3960WR-13P	47.52	51.48
SCT3960WR-4P	11.88	15.84	SCT3960WR-14P	51.48	55.44
SCT3960WR-5P	15.84	19.80	SCT3960WR-15P	55.44	59.40
SCT3960WR-6P	19.80	23.76	SCT3960WR-16P	59.40	63.36
SCT3960WR-7P	23.76	27.72	SCT3960WR-17P	63.36	67.32
SCT3960WR-8P	27.72	31.68	SCT3960WR-18P	67.32	71.28
SCT3960WR-9P	31.68	35.64	SCT3960WR-19P	71.28	75.24
SCT3960WR-10P	35.64	39.60	SCT3960WR-20P	75.24	79.20
SCT3960WR-11P	39.60	43.56			

**SPECIFICATIONS**  
 Voltage Rating: 250V AC/DC  
 Current Rating: 7A AC/DC  
 Withstanding Voltage: 1500V AC/minute  
 Insulation Resistance: 1000MΩ min.  
 Temperature Range: -25° C - +85° C  
 Contact Resistance: 20mΩ max

WAFER  
 Part No: SCT3960WR-XXP  
 Pole: 02-20  
 Material: Nylon 66, UL94V-2  
 Pin: Brass, Tin plated

OPERATION	DRAW	CHENA	SCALE	SCONDAR 森康达电子有限公司 SCONDAR ELECTRONIC LIMITED	
~ 10 ± 0.15	DESIGN		mm	PART NO.	SCT3960WR-XXP
20 ~ 30 ± 0.30	CHECK	MICKY	SIZE	TITLE:	MOLEX3.96 90C WAFER
30 ~ Angle ± 2°	APPROVE	HELLEN	SHEET	DRAWING NO.	SCT3960
APPROVE	APPROVE	2005.03.13	PROU.		
DATE	MODIFICATION DESCRIPTION	CHANGE	APPROVE		
05/12/27	NEW				
REV					