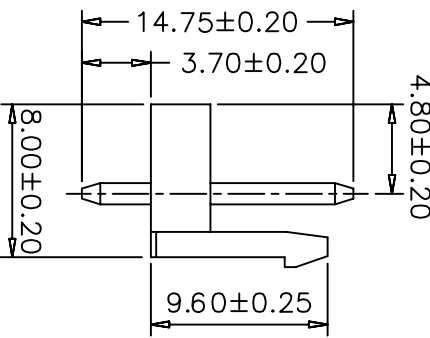
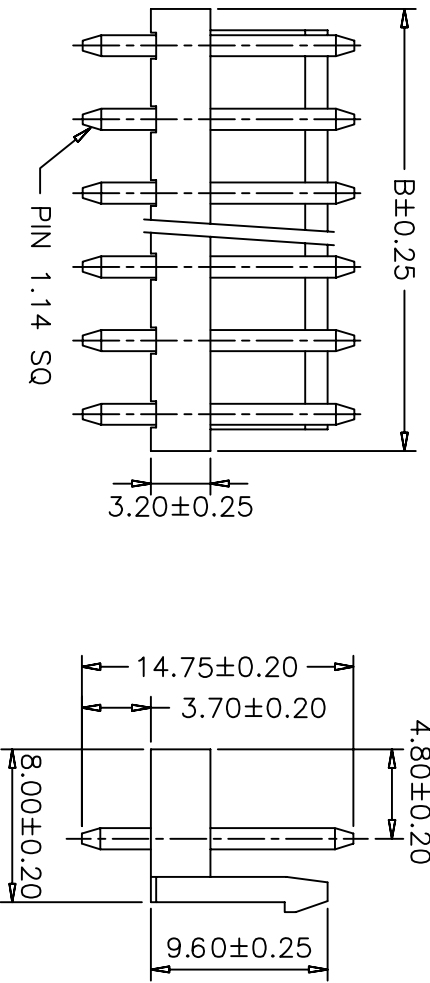


**SPECIFICATIONS**  
 Voltage Rating: 250V AC/DC  
 Current Rating: 7A AC/DC  
 Withstanding Voltage: 1500V AC/minute  
 Insulation Resistance: 1000MΩ min.  
 Temperature Range: -25° C - +85° C  
 Contact Resistance: 20mΩ max

**WAFER**  
 Part No: SCT3961WV-XXP  
 Pole: 02-12  
 Material: Nylon 66, UL94V-0  
 Pin: Brass, Tin plated



PART NO	DIMENSION	
	A	B
SCT3961WV-02	3.96	8.00
SCT3961WV-03	7.92	11.96
SCT3961WV-04	11.88	15.92
SCT3961WV-05	15.84	19.88
SCT3961WV-06	19.80	23.84
SCT3961WV-07	23.76	27.80
SCT3961WV-08	27.72	31.76
SCT3961WV-09	31.68	35.72
SCT3961WV-10	35.64	39.68
SCT3961WV-11	39.60	43.64
SCT3961WV-12	43.56	47.60

OPERATION	DRAW	CHENA	SCALE	UNIT	PART NO.	TITLE:	DRAWING NO.
DESIGN	CHECK	MICKY	SIZE				
~ 10	~ 10	2005.03.18	A4	mm	SCT3961WV-XXP	VH3.96 180C WAFER	SCT3961
20 ~ 30	30 ~	2005.03.18	1/1				
Angle	± 2'						
DIM	TOL	APPROVE	HELEN	2005.03.18	PROJ.		
CHANGE	APPROVE	HELEN	2005.03.18	PROJ.			
MODIFICATION DESCRIPTION	NEW						
DATE	05/12/27						
REV	0						

**SCONDAR** 森康达电子有限公司  
 SCONDAR ELECTRONIC LIMITED