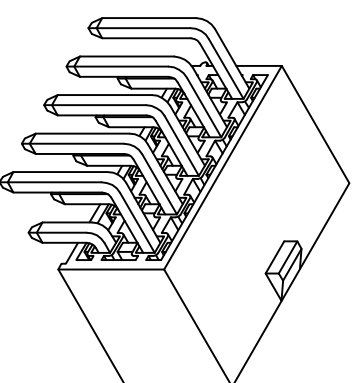
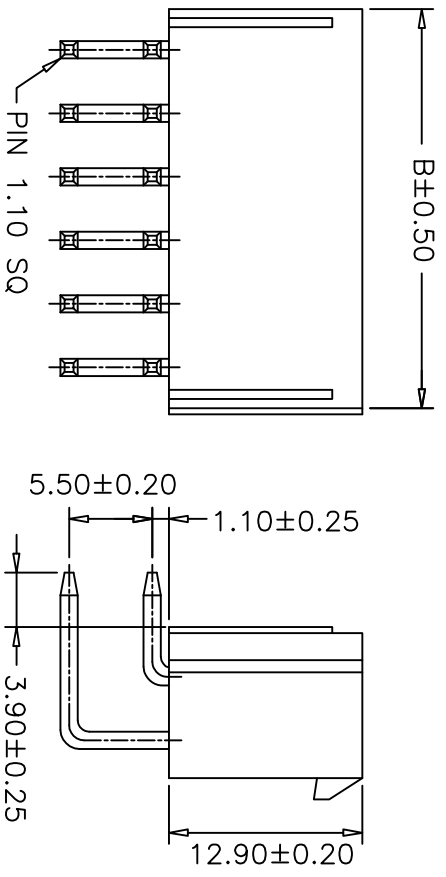


P.C.B LAYOUT



PART NO.	Dimensions	
	A	B
SCT4201WR-2X01PB	---	5.40
SCT4201WR-2X02PB	4.20	9.60
SCT4201WR-2X03PB	8.40	13.80
SCT4201WR-2X04PB	12.60	18.00
SCT4201WR-2X05PB	16.80	22.20
SCT4201WR-2X06PB	21.00	26.40
SCT4201WR-2X07PB	25.20	30.60
SCT4201WR-2X08PB	29.40	34.80
SCT4201WR-2X09PB	33.60	39.00
SCT4201WR-2X10PB	37.80	43.20
SCT4201WR-2X11PB	42.00	47.40
SCT4201WR-2X12PB	46.20	51.60

SPECIFICATIONS

Voltage Rating: 600V AC/DC  
 Current Rating: 9A AC/DC  
 Withstanding Voltage: 1500V AC/minute  
 Insulation Resistance: 1000MΩ min.  
 Temperature Range: -25° C - +85° C  
 Contact Resistance: 20mΩ max

WAFER

Part No: SCT4201WR-2xXXP  
 Pole: 2x1-12  
 Material: Nylon 66, UL94V-2  
 Pin: Brass, Tin plated

OPERATION		~ 10	±0.15	DRAW	JUDY	2007.05.09	SCALE	SCONDAR 森康达电子有限公司 SCONDAR ELECTRONIC LIMITED	
DESIGN		20 ~ 30	±0.30	CHECK	MICKY	2007.05.09	UNIT	A4	PART NO.
CHECK		30 ~	±0.50	APPROVE	HELLEN	2007.05.09	SIZE	1/1	SCT4201WR-2XXP
CHANGE		Angle	± 2'	APPROVE			SHEET		MOLEX4.2 90C WAFER
APPROVE		DM		APPROVE			PROJ.		SCT4201
MODIFICATION DESCRIPTION									
DATE									
NEW									
05/12/27									
0									