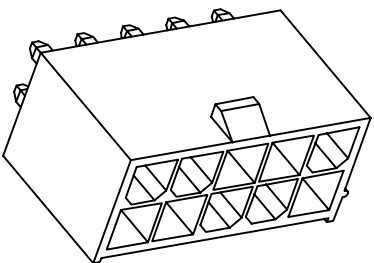
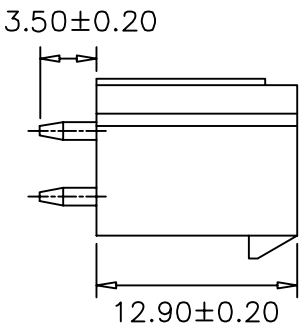
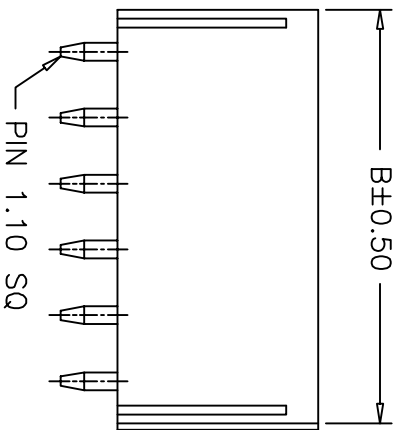


P.C.B LAYOUT



PART NO.	Dimensions	
	A	B
SCT4201WV-2X01P	---	5.40
SCT4201WV-2X02P	4.20	9.60
SCT4201WV-2X03P	8.40	13.80
SCT4201WV-2X04P	12.60	18.00
SCT4201WV-2X05P	16.80	22.20
SCT4201WV-2X06P	21.00	26.40
SCT4201WV-2X07P	25.20	30.60
SCT4201WV-2X08P	29.40	34.80
SCT4201WV-2X09P	33.60	39.00
SCT4201WV-2X10P	37.80	43.20
SCT4201WV-2X11P	42.00	47.40
SCT4201WV-2X12P	46.20	51.60

SPECIFICATIONS

Voltage Rating: 600V AC/DC
 Current Rating: 9A AC/DC
 Withstanding Voltage: 1500V AC/minute
 Insulation Resistance: 1000MΩ min.
 Temperature Range: -25° C - +85° C
 Contact Resistance: 20mΩ max

WAFER

Part No: SCT4201WV-2XXXXP
 Pole: 2x1-12
 Material: Nylon 66, UL94V-2
 Pin: Brass, Tin plated

REV	DATE	MODIFICATION DESCRIPTION	CHANGE	APPROVE	OPERATION	DRAW	JUDY	2007.05.09	SCALE	UNIT	mm	森康达电子有限公司
0	05/12/27	NEW			~ 10 ±0.15	DESIGN			A4			SCT4201WV-2XXXP
					20 ~ 30 ±0.30	CHECK	MICKY	2007.05.09	SIZE			MOLEX4.2 180C WAFER
					30 ~ Angle ± 2'	APPROVE	HELLEN	2007.05.09	SHEET	1/1		
					DIM TOL				PROJ.			SCT4201

森康达电子有限公司
 SCONDAR ELECTRONIC LIMITED