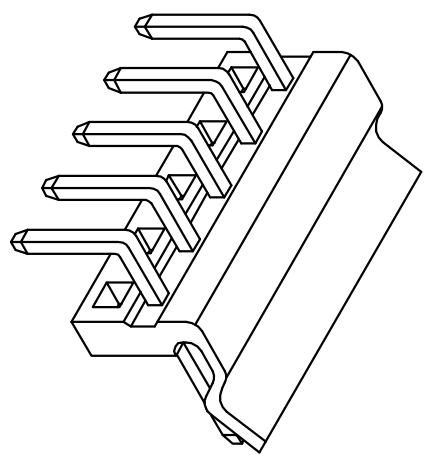
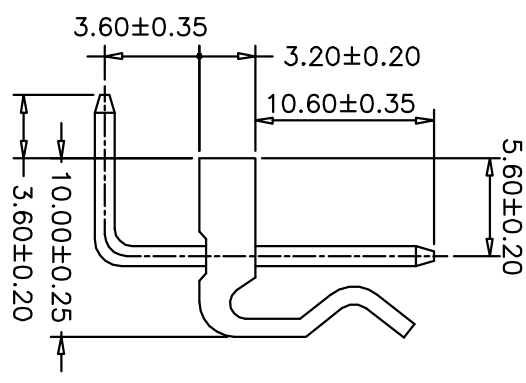
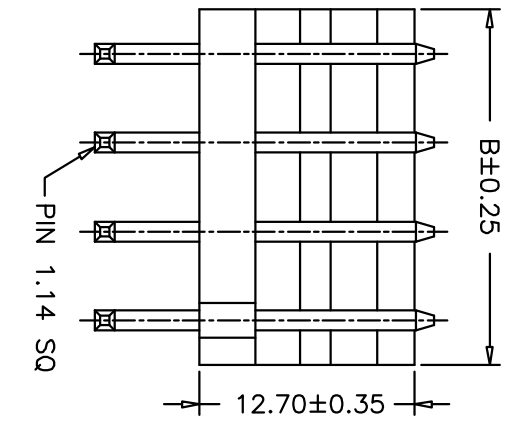


P.C.B LAYOUT



PART NO.	Dimensions	
	A	B
SCT5080WR-02P	5.08	10.16
SCT5080WR-03P	10.16	15.24
SCT5080WR-04P	15.24	20.32
SCT5080WR-05P	20.32	25.40
SCT5080WR-06P	25.40	30.48
SCT5080WR-07P	30.48	35.56
SCT5080WR-08P	35.56	40.64
SCT5080WR-09P	40.64	45.72
SCT5080WR-10P	45.72	50.80
SCT5080WR-11P	50.80	55.88
SCT5080WR-12P	55.88	60.96
SCT5080WR-13P	60.96	66.04
SCT5080WR-14P	66.04	71.12
SCT5080WR-15P	71.12	76.20
SCT5080WR-16P	76.20	81.28
SCT5080WR-17P	81.28	86.36
SCT5080WR-18P	86.36	91.44
SCT5080WR-19P	91.44	96.52
SCT5080WR-20P	96.52	101.60

SPECIFICATIONS
 Voltage Rating: 250V AC/DC
 Current Rating: 7A AC/DC
 Withstanding Voltage: 1500V AC/minute
 Insulation Resistance: 1000MΩ min.
 Temperature Range: -25° C - +85° C
 Contact Resistance: 20mΩ max
WARFR
 Part No: SCT5080WR-XXP
 Poles: 2-20
 Material: Nylon 66, UL94V-2
 Pin: Brass, Tin plated

REV	DATE	MODIFICATION DESCRIPTION	CHANGE	APPROVE	OPERATION	DRAW	JUDY	2007.05.09	SCALE	PART NO.	TITLE:	DRAWING NO.
0	05/12/27	NEW			~ 10 ±0.15	DESIGN			mm	SCT5080WR-XXP	MX5.08 90C WAFER	SCT5080
1					20 ~ 30 ±0.30	CHECK	MICKY	2007.05.09	A4			
					30 ~ Angle ± 2'	APPROVE	HELLEN	2007.05.09	1/1			


森康达电子有限公司
 SCONDAR ELECTRONIC LIMITED