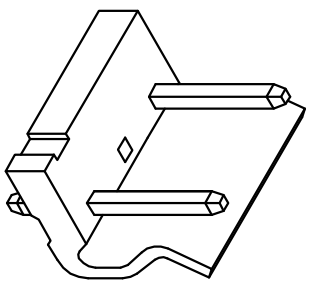
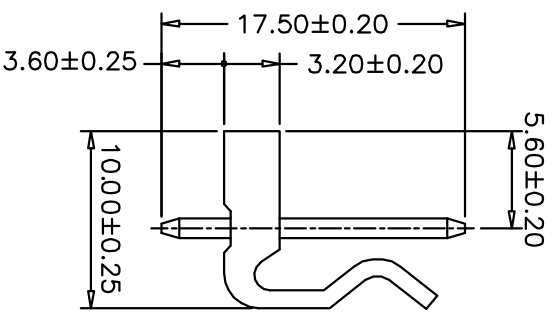
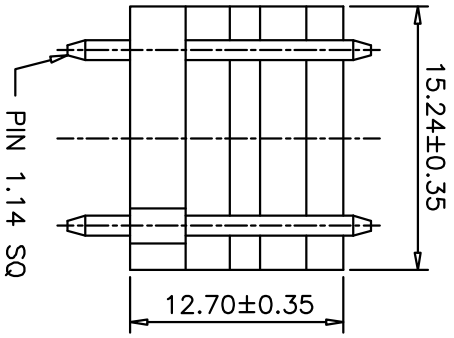


P.C.B LAYOUT

SPECIFICATIONS
 Voltage Rating: 250V AC/DC
 Current Rating: 7A AC/DC
 Withstanding Voltage: 1500V AC/minute
 Insulation Resistance: 1000MΩ min.
 Temperature Range: -25° C - +85° C
 Contact Resistance: 20mΩ max

WAFER
 Part No: SCT5080WV-03P (K, 2)
 Material: Nylon 66, UL94V-2
 Pin: Brass, Tin plated



OPERATION		DRAW		SCALE		森康达电子有限公司 SCONDAR ELECTRONIC LIMITED			
~ 10 ±0.15		DESIGN		UNIT mm					
20 ~ 30 ±0.30		CHECK		SIZE A4					
30 ~ Angle DIM		APPROVE		SHEET 1/1		PART NO.		SCT5080WV-03P(K,2)	
± 2' TOL		HELEN		PROJ.		TITLE:		MX5.08 180C WAFER	
CHANGE		MICKY		DRAWING NO.		DRAWING NO.		SCT5080	
APPROVE		2007.05.09		2007.05.09		2007.05.09		2007.05.09	
DESCRIPTION		JUDY		2007.05.09		2007.05.09		2007.05.09	
NEW		2007.05.09		2007.05.09		2007.05.09		2007.05.09	
DATE		2007.05.09		2007.05.09		2007.05.09		2007.05.09	
05/12/27		2007.05.09		2007.05.09		2007.05.09		2007.05.09	
REV		2007.05.09		2007.05.09		2007.05.09		2007.05.09	
1		2007.05.09		2007.05.09		2007.05.09		2007.05.09	