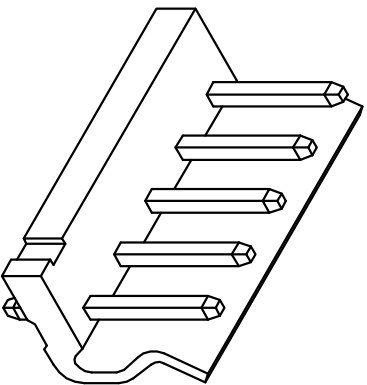
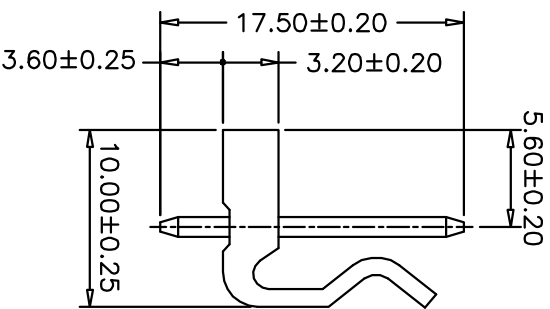
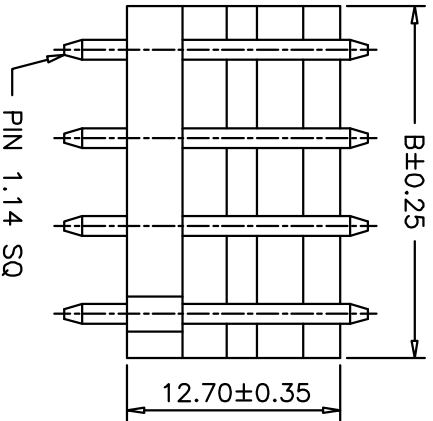


P.C.B LAYOUT



PART NO.	Dimensions	
	A	B
SCT5080WV-02P	5.08	10.16
SCT5080WV-03P	10.16	15.24
SCT5080WV-04P	15.24	20.32
SCT5080WV-05P	20.32	25.40
SCT5080WV-06P	25.40	30.48
SCT5080WV-07P	30.48	35.56
SCT5080WV-08P	35.56	40.64
SCT5080WV-09P	40.64	45.72
SCT5080WV-10P	45.72	50.80
SCT5080WV-11P	50.80	55.88
SCT5080WV-12P	55.88	60.96
SCT5080WV-13P	60.96	66.04
SCT5080WV-14P	66.04	71.12
SCT5080WV-15P	71.12	76.20
SCT5080WV-16P	76.20	81.28
SCT5080WV-17P	81.28	86.36
SCT5080WV-18P	86.36	91.44
SCT5080WV-19P	91.44	96.52
SCT5080WV-20P	96.52	101.60

SPECIFICATIONS
 Voltage Rating: 250V AC/DC
 Current Rating: 7A AC/DC
 Withstanding Voltage: 1500V AC/minute
 Insulation Resistance: 1000MΩ min.
 Temperature Range: -25° C - +85° C
 Contact Resistance: 20mΩ max
WAFFER
 Part No: SCT5080WV-XXP
 Poles: 2-20
 Material: Nylon 66, UL94V-2
 Pin: Brass, Tin plated

REV	DATE	MODIFICATION DESCRIPTION	CHANGE	APPROVE	OPERATION	DRAW	JUDY	SCALE	PART NO.	TITLE:	DRAWING NO.
0	05/12/27	NEW			~ 10 ±0.15	DESIGN		mm	SCT5080WV-XXP	MX5.08 180C WAFER	SCT5080
1					20 ~ 30 ±0.30	CHECK	2007.05.09	A4			
					30 ~ ±0.50			1/1			
					Angle ± 2'						
					DIM TOL	APPROVE	2007.05.09	PROJ.			


森康达电子有限公司
 SCONDAR ELECTRONIC LIMITED