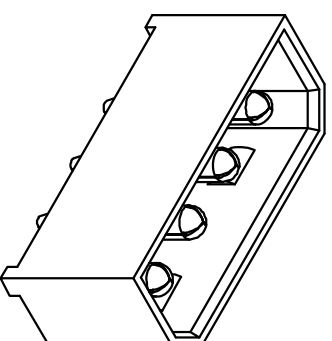
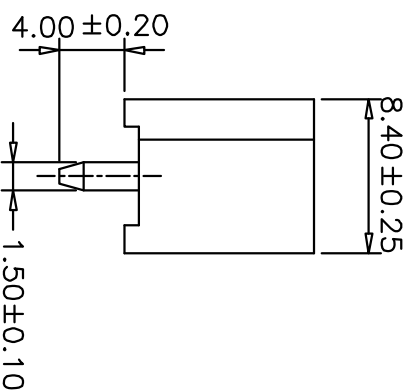
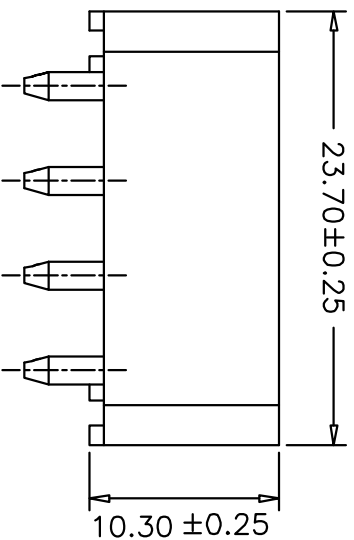



P.C.B. LAYOUT

SPECIFICATIONS
 Voltage Rating: 250V AC/DC
 Current Rating: 10A AC/DC
 Withstanding Voltage: 1500V AC/minute
 Insulation Resistance: 1000MΩ min.
 Temperature Range: -25° C - +85° C
 Contact Resistance: 20mΩ max

WAFER
 Part No: SCT5083WV-04P
 Material: Nylon 66, UL94V-2
 Pin: Brass, Tin plated



OPERATION		DRAW		SCALE		 森康达电子有限公司 SECONDAR ELECTRONIC LIMITED	
~ 10	±0.15	DESIGN	JUDY	2007.05.09	UNIT		
20 ~ 30	±0.30	CHECK	MICKY	2007.05.09	SIZE	A4	PART NO.
30 ~	±0.50	APPROVE	HELLEN	2007.05.09	SHEET	1/1	TITLE:
Angle	± Z'	DIM	TOL.	APPROVE	PROJ.	◆	DRAWING NO.
0	05/12/27	NEW					MOLEX8981 180C WAFER
REV	DATE	MODIFICATION DESCRIPTION	CHANGE	APPROVE			SCT5083

1 2 3 4 5 6 7 8 9 10